

[Back To Article](#)**AIRBAG WARNING LIGHT IS ON, MRS FC 02, 03, 05, 06****TECHNICAL SERVICE BULLETIN**

Reference Number(s): SI M65 08 03, Date of Issue: July 25, 2006

MINI: R50, R53 (Cooper, Cooper S) up to February 17, 2003 Vehicle Production

GROUP: Audio, Navigation, Monitors, Alarms, SRS

Superseded Bulletin(s): S.I. M72 01 03, Date of Issue: April 2006

**SUBJECT****NOTE:** This Service Information bulletin supersedes S.I. M72 01 03 dated April 2006.**Airbag Warning Light is ON, MRS FC 02, 03, 05, 06****SITUATION**

The Customer may complain that the airbag warning light is on, and the following faults are stored in the MRS (Multiple Restraint System) control unit:

- 02 - Driver's side belt tensioner ignition circuit
- 03 - Passenger's side belt tensioner ignition circuit
- 05 - Driver's side seat airbag ignition coil
- 06 - Passenger's side seat airbag ignition coil

**NOTE:** The warranty coverage of the vehicle for this specific issue is extended to 10 years/150,000 miles, whichever occurs first - see attached customer letter. The customer will be provided with an extended warranty sticker that is to be affixed in page 25 of the Service and Warranty Book.

To minimize customer's inconvenience you may provide appropriate alternative transportation.

**CAUSE**

Faulty crimping of contacts at the seat connectors.

**AFFECTED VEHICLES**

Vehicles from start of production to February 17, 2003.

**AFFECTED VEHICLES**

Model	Chassis Number Range
Cooper	TC30047 - TC43963
Cooper S	TD50072 - TD65791
Cooper Automatic	TE10037 - TE17624

**PROCEDURE**

**NOTE:** Please be sure to follow the procedure as described below. Analysis of parts returned so far shows:

- Connectors are being returned disconnected. (The connectors must remain connected - see steps 4 & 5)
- Connector wires are cut too close to the connector. (The wires must be cut 100mm from the connector - see steps 4, 5, 10 & 11)
- There is no DIS print out accompanying the returned parts. (A DIS print out showing which connector failed and its fault codes, must be included)
- Connectors for one vehicle are being returned in more than one bag. (Place all connectors in one return bag)

**Failure to follow these procedures will result in the warranty claim being debited.**

In case of a customer complaint and one of the faults mentioned above is stored:

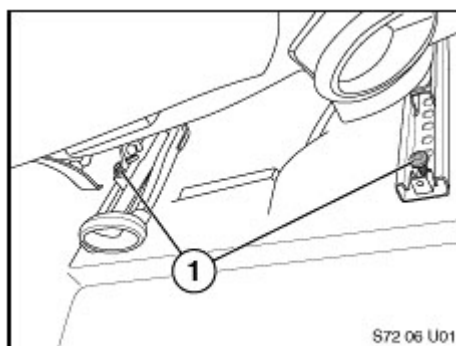
1. Print a DIS print-out that shows the failed connector and its stored fault codes.

Then replace the wiring to the respective belt tensioner and side airbag for the seat with the repair harnesses as described below. Always comply with the safety instructions when handling airbag devices as outlined in the repair manual RA 32 34 ...

The following tools will be needed in order to perform this repair correctly:

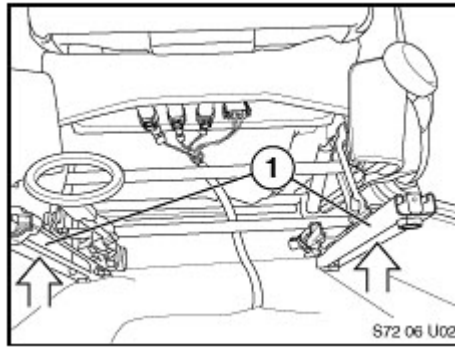
- Pliers (without die plate) 61 9 041
  - Die plate for pliers 61 9 042
  - Wire strippers 61 9 043
  - Hot air blower.
2. Disconnect the battery.
  3. Remove the (4) mounting screws from the front seat with the stored fault.

Illustration shows the (2) front screws.



**Fig. 1: Front Seat Mounting Screws**

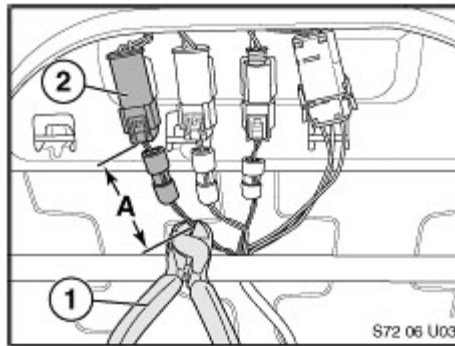
4. Raise the seat at the front (1).



**Fig. 2: Raising Seat At Front**

5. Locate the yellow side airbag connector (DO NOT DISCONNECT).

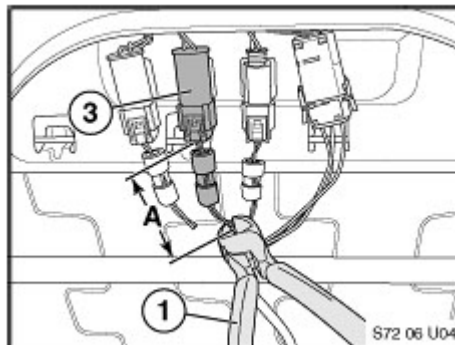
Cut the wire as shown, 100mm from the connector (A).



**Fig. 3: Cutting Wire To Yellow Side Airbag Connector**

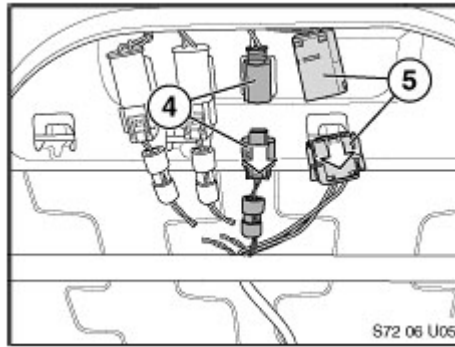
6. Locate the blue seat tensioner (DO NOT DISCONNECT).

Cut the wire as shown, 100mm from the connector (A).



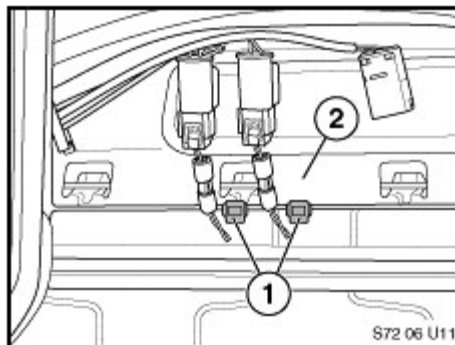
**Fig. 4: Cutting Wire To Blue Seat Tensioner Connector**

7. Disconnect remaining connectors (4) and (5), and remove seat from vehicle. Connector (4) may not be on all vehicles.



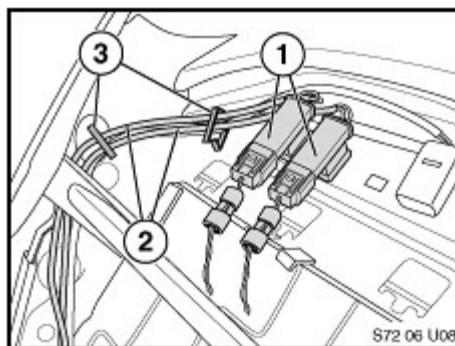
**Fig. 5: Disconnecting Remaining Connectors**

8. Install the new cable tie with holder (1) (PN 61 13 0 302 824) and fit to the carrier (2). Remove the cable tie for later use.



**Fig. 6: Cable Tie With Holder On Carrier**

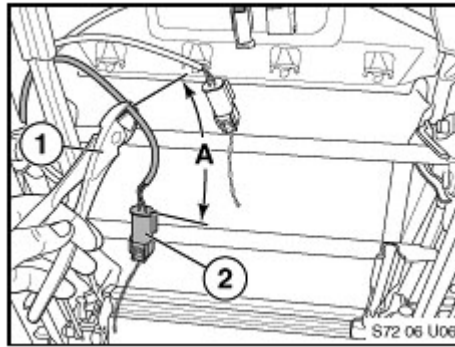
9. Release the connector housing (1) by turning it slightly.  
 10. Release the seat wiring harnesses (2) for the side airbag and seat belt tensioner from the retainers (3).



**Fig. 7: Connector Housing, Wiring Harnesses And Retainers**

11. Locate the yellow side airbag connector (2). Cut the wire as shown, 100mm from the connector (A).

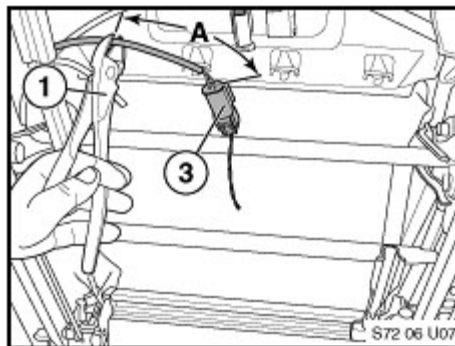
**Tag the removed part with the VIN. Do not scrap the removed part - it may be necessary to ship the part to BMW for analysis (DO NOT DISCONNECT THE CONNECTOR).**



**Fig. 8: Removing Yellow Side Airbag Connector**

12. Locate the blue seat tensioner connector (3). Cut the wire as shown, 100mm from the connector (A).

**Tag the removed part with the VIN. Do not scrap the removed part - it may be necessary to ship the part to BMW for analysis (DO NOT DISCONNECT THE CONNECTOR).**

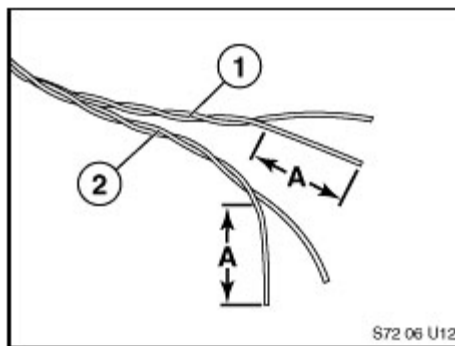


**Fig. 9: Removing Blue Seat Tensioner Connector**

13. Mark the defective connector(s), then put all the removed parts and DIS print out together in a plastic bag.

Preparing seat wiring harnesses for repair

14. Shorten the outer sheath of the seat wiring harnesses by approximately 50 mm from the wire ends. **Take care not to cut the wiring**. Seal the outer sheaths to the wires using fabric adhesive tape.
15. Cut the seat wiring harnesses for side airbag (1) and belt tensioner (2) to offset lengths with the following dimensions (cut only (1) wire of each wire pair):



### Fig. 10: Seat Wiring Harnesses For Side Airbag And Belt Tensioner

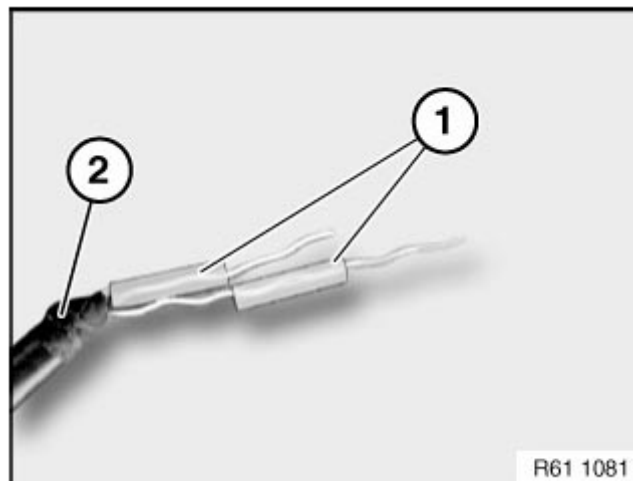
Seat wiring harness for side airbag (1):

**Violet/white** triggering circuit wire **A = 30 mm**

Seat wiring harness for belt tensioner (2):

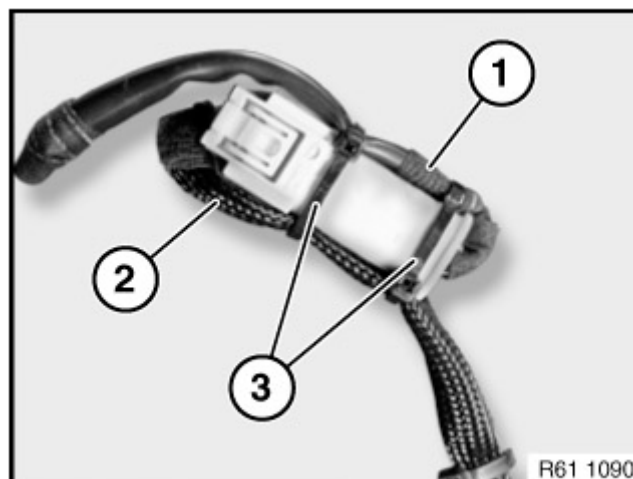
**Green** triggering circuit wire **A = 30 mm**

- Strip the ends of the triggering circuit wires on the seat wiring harnesses to a length of 4 mm. Install shrink tube (1) (PN 61 13 0 149 206) over the wires.



### Fig. 11: Shrink Tube On Triggering Circuit Wires

- wrap over the retainer clips from the old harness connectors to the new repair harness connectors.
- Connect the repair harness sections (1) and (2) together for both the seat side airbag repair harness (PN 61 12 6 937 521) and the seat belt tensioner repair harness (PN 61 12 6 937 522). Fold the repair harness sections (1) and (2) at the connection to form an "S" shape. Secure with cable ties (3) (PN 61 13 0 141 326). Take care to note the position of the cable fasteners. **Do not use Stabilant 22 or any other contact enhancer on the connections.**

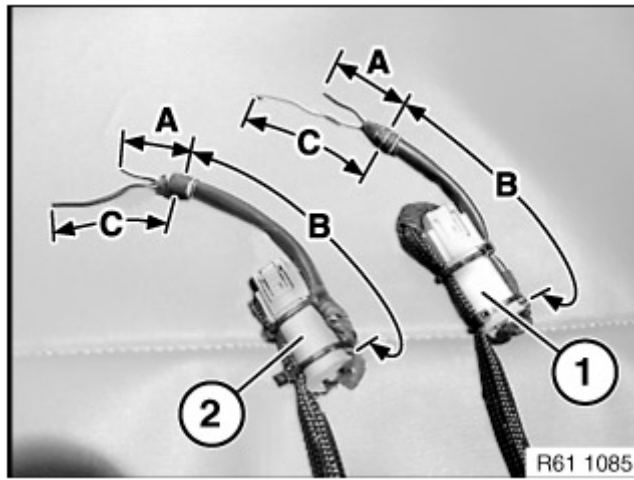


### Fig. 12: Repair Harness Sections Secured To Connector With Cable Ties

- Shorten the outer sheaths of the repair wiring harnesses to **B = 100 mm**. Seal the outer sheaths to the wiring harnesses using fabric adhesive tape.
- Cut the repair wiring harnesses for the side airbag (1) and the belt tensioner (2) to offset lengths with the following dimensions:

**NOTE:** the wire colors are different based on the date of manufacture of the repair harness.

**Late production repair wiring harness.**



### Fig. 13: Side Airbag And Belt Tensioner Wiring Harnesses Dimensions

Repair wiring harness for side airbag (1):

**Black/White** triggering circuit wire **A = 40 mm**

**Violet/White** triggering circuit wire **C = 70 mm**

Repair wiring harness for belt tensioner (2):

**Black** triggering circuit wire **A = 40 mm**

**Green** triggering circuit wire **C = 70 mm**

**Early production repair wiring harness.**

Repair wiring harness for side airbag (1):

**Brown** triggering circuit wire **A = 40 mm**

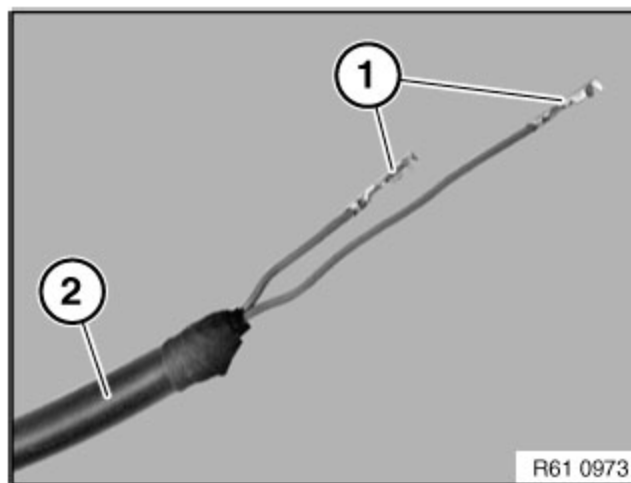
**Yellow** triggering circuit wire **C = 70 mm**

Repair wiring harness for belt tensioner (2):

**Yellow/Brown** triggering circuit wire **A = 40 mm**

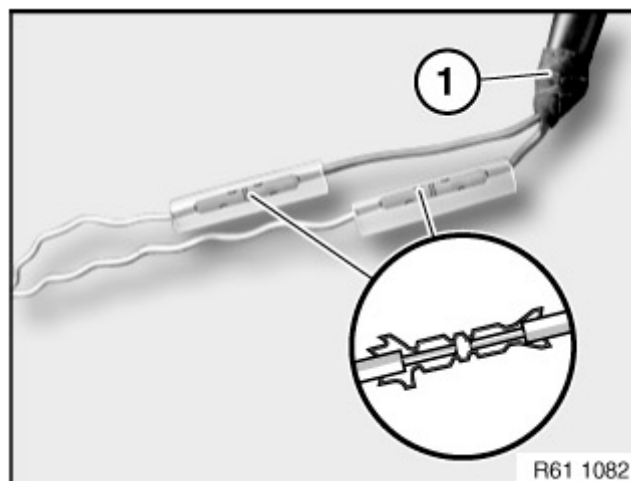
**Yellow/Red** triggering circuit wire **C = 70 mm**

21. Strip the ends of the shortened triggering circuit wires on the repair harnesses to a length of 4 mm.
22. Crimp a butt connector (1) (PN 61 13 0 149 205) to each seat wiring repair harness (2) wire.



**Fig. 14: Butt Connector On Repair Harness Wires**

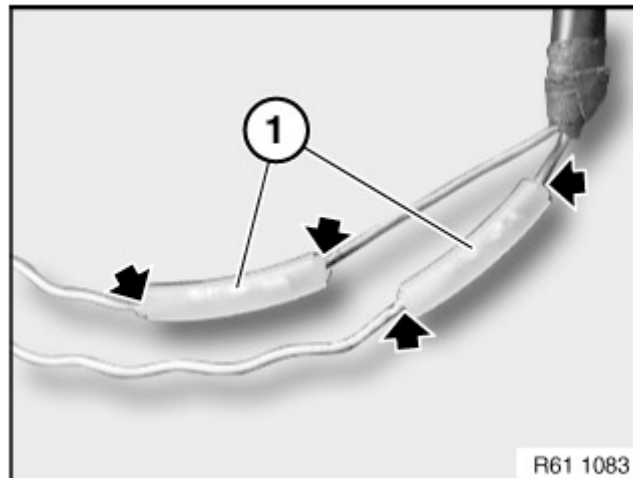
23. Crimp the repair wiring harnesses to the seat wiring harnesses in accordance with the attachment Chart A. Make sure that the proper wire colors are used based on the manufacturing date of the repair harness.



**Fig. 15: Repair Wiring Harnesses Crimped To Seat Wiring Harness**

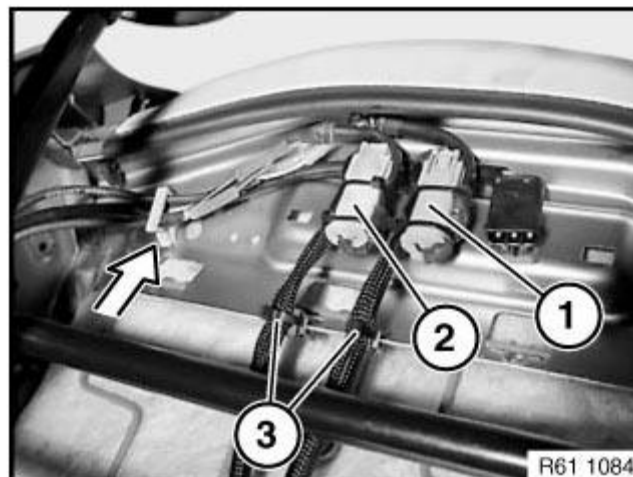
24. Slide the shrink tube (1) over the crimp connection and heat up with a hot air blower until glue escapes onto the wires as indicated by arrows.
25. Using fabric adhesive tape wrap the exposed harness.





**Fig. 16: Shrink Tube On Crimp Connections**

26. Press the wiring harnesses into the retainer as indicated by arrow.
27. Secure the connector for the belt tensioner (1) and side airbag (2) onto carrier.
28. Secure the repair wiring harnesses to the retainers (3) with cable ties.



**Fig. 17: Repair Wiring Harnesses Installation**

*Preparing the repair wiring harnesses for connection to the body wiring harness.*

29. Shorten the repair wiring harness for side airbag (1) and seat belt tensioner (2) as follows:
30. Shorten the outer sheaths of the repair wiring harnesses to **A = 150 mm** .
31. Cut the repair wiring harnesses for the side airbag (1) and belt tensioner (2) to offset lengths with the following dimensions:

**NOTE:**        **The colors of the triggering circuit wires for the repair harnesses have not changed.**

Repair wiring harness for side airbag (1):

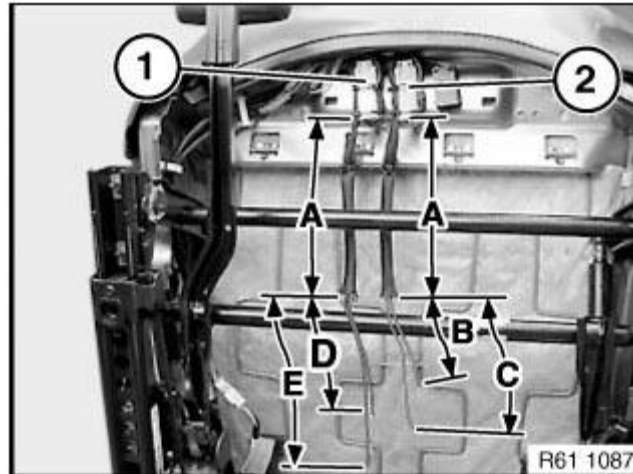
**Brown** triggering circuit wire **D = 50 mm**

**Yellow** triggering circuit wire **E = 80 mm**

Repair wiring harness for belt tensioner (2):

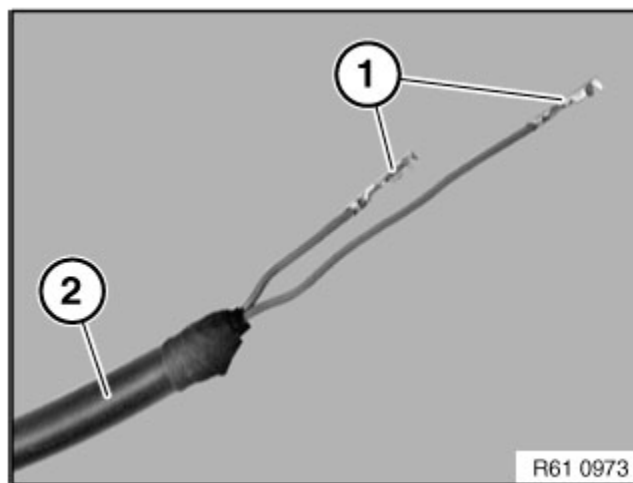
**Yellow/Brown** triggering circuit wire **B = 110 mm**

**Yellow/Red** triggering circuit wire **C = 140 mm**



**Fig. 18: Dimensions For Repair Harnesses**

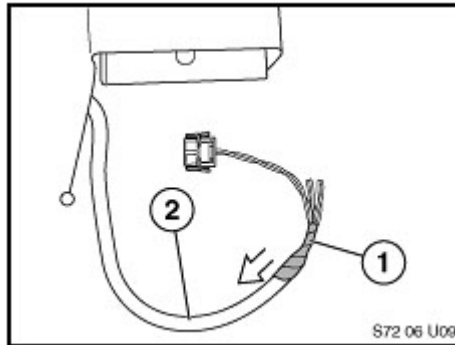
32. Strip the ends of the shortened triggering circuit wires on the repair harnesses to a length of 4 mm.
33. Crimp a butt connector (1) (PN 61 13 0 149 205) to each seat wiring repair harness (2) wire.



**Fig. 19: Butt Connectors On Triggering Circuit Wires**

*Preparing the body wiring harness for repair.*

34. Remove fabric adhesive tape (1) from the vehicle wiring harness and **slide back sheathing (2) by approximately 300 mm.**
35. Fix sheathing in place with cable tie or fabric adhesive tape.



**Fig. 20: Fabric Adhesive Tape And Sheathing On Vehicle Wiring Harness**

36. Cut the body wiring harness for the side airbag (1) and belt tensioner (2) to offset lengths with the following dimensions:

Body wiring harness for side airbag (1):

**Brown** triggering circuit wire **A = 50 mm**

**Yellow** triggering circuit wire **B = 80 mm**

Drivers side body wiring harness for belt tensioner (2):

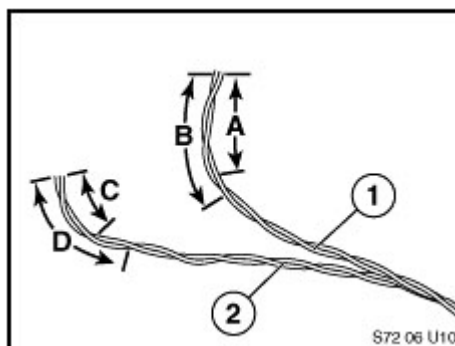
**Yellow/Brown** triggering circuit wire **C = 110 mm**

**Yellow/Red** triggering circuit wire **D = 140 mm**

Passenger side body wiring harness for belt tensioner (2):

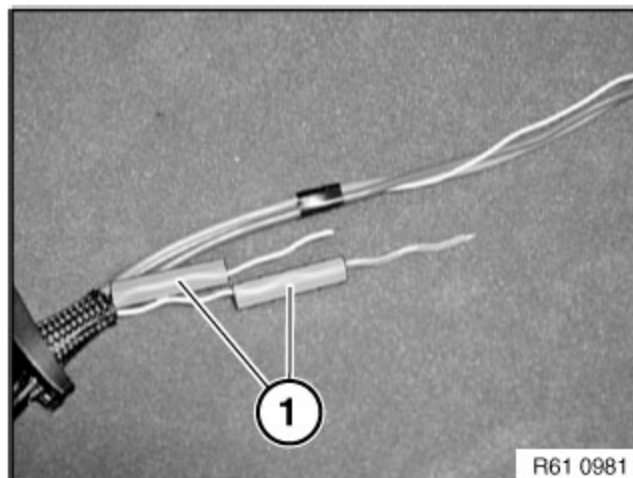
**Blue/Brown** triggering circuit wire **C = 110 mm**

**Blue/Red** triggering circuit wire **D = 140**



**Fig. 21: Dimensions For Body Wiring Harness**

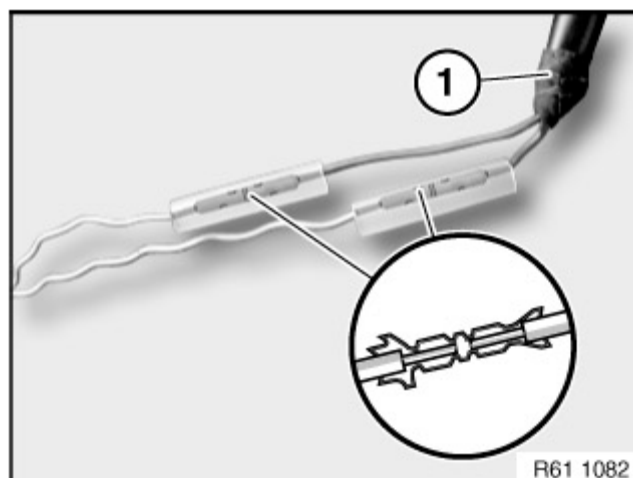
37. Strip a length of 4mm from at the end of each wire.  
38. Slide a shrink tube (1) over each wire.



**Fig. 22: Shrink Tube On Body Wiring Harness Wires**

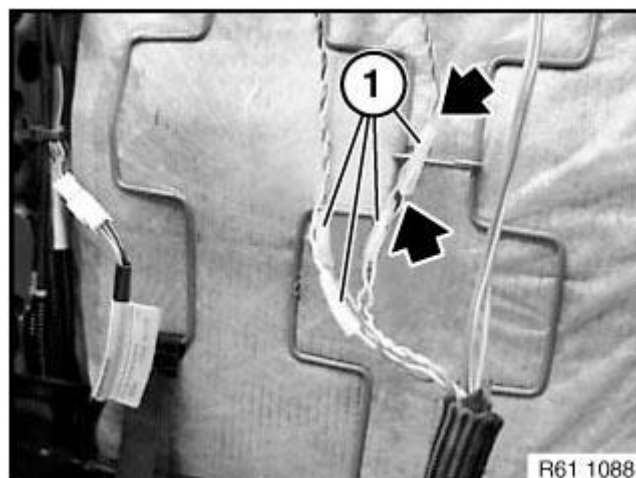
*Connecting the repair wiring harness to the body wiring harness.*

39. Place the seat in the vehicle and tilt back towards the rear seat.
40. Crimp the wiring harnesses (1) together in accordance with the attachment Chart B.



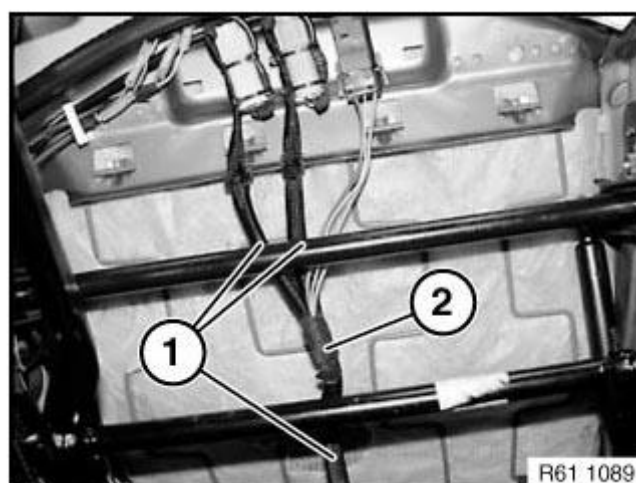
**Fig. 23: Repair Wiring Harnesses Crimped To Body Wiring Harness**

41. Slide the shrink tubing (1) over the crimp connections and heat up using a hot air blower, until glue escapes onto the triggering circuit wires, indicate by arrows.



**Fig. 24: Shrink Tube On Crimp Connections**

42. Slide the wire sheathing (1) over the wiring harness and secure with fabric tape (2).
43. Reinstall the front seat.
44. Reconnect battery.
45. Clear fault memory.



**Fig. 25: Wire Sheathing And Fabric Tape On Harness**

## PARTS INFORMATION

### PARTS INFORMATION

Part Number	Description	Quantity <sup>(1)</sup>
61 12 6 937 521	Repair harness for side airbag	1
61 12 6 937 522	Repair harness for belt tensioner	1
61 13 0 141 326	Cable Tie	4
61 13 0 149 205	Butt Connector	8
61 13 0 149 206	Shrink Tubing	8
61 13 0 302 824	Cable tie with holder	2

Part Number	Description	Quantity <sup>(1)</sup>
(1) Quantity is for the repair of one seat only.		

## WARRANTY INFORMATION

Warranty coverage of the vehicle for this specific issue, is extended to 10 years/150,000 miles, whichever occurs first.

### WARRANTY INFORMATION

<b>Defect Code</b>	61 12 94 79 00	
Labor Operation:	Install repair wiring harness for side airbag <b>and</b> belt tensioner for one seat (left or right).	
	<b>Labor Operation</b>	<b>Labor Allowance</b>
	00 56 127	12 FRU
	+00 56 770	10 FRU
Labor Operation:	Install repair wiring harness for side airbag <b>and</b> belt tensioner for both seats.	
	<b>Labor Operation</b>	<b>Labor Allowance</b>
	00 56 126	20 FRU
	+00 56 768	18 FRU

**NOTE:** The following explanations spell out the correct use of the work times.

**Main Work:** Use this labor operation number when the only repair performed is the listed warranty repair.

OR

**+Associated Work:** Use this labor operation number when other repairs or services are performed along with the listed warranty repair.

## RENTAL VEHICLES

Retailers participating in the MINI Dealer Administered Customer Assistance Program may self-authorize claims for reimbursement of rental costs from independent rental agencies in certain situations.

## ATTACHMENTS

March, 2006

Customer Name  
Address  
VIN

**DRAFT**

Dear MINI Owner

We hope that you are continuing to enjoy your MINI and that your ownership experience is everything you hoped it would be. At MINI, we are committed to maintaining a level of automotive service excellence that exceeds your expectations now and in the future.

MINI has always maintained an open dialogue with its valued customers. Consistent with this philosophy, we want to help you avoid problems and minimize your inconvenience.

We have found and repaired cases in which a wiring harness connector for the side air bag and safety-belt pretensioner has partially loosened. When this occurred, the increase in electrical resistance caused the red airbag warning lamp to light up.

In cases we have seen so far, the airbag and pretensioner would have operated normally, HOWEVER, ANYTIME AN AIRBAG WARNING LAMP IS ON IT MEANS THE SYSTEM MUST BE CHECKED AS SOON AS POSSIBLE.

What you should do:

**IF you notice illumination of the air bag warning lamp, please have your vehicle inspected immediately by your nearest Authorized MINI Dealer.** The warning lamp may be related to the connector condition discussed above, or it may be related to some other condition that may prevent airbag or pretensioner operation. Therefore, if the airbag warning lamp comes on, we urge you to have the vehicle checked without delay. (Please note that the warning lamp briefly lights up and then goes out during vehicle start up; this is part of the vehicle's normal system check and operation.)

**Warranty Coverage Extended:**

**In the interest of customer satisfaction, we are extending the warranty coverage of the vehicle for defects that may occur, for this specific airbag warning lamp issue, on your vehicle to 10 years / 150,000 miles, whichever occurs first.** Under terms of this warranty coverage, MINI will cover all necessary repair costs related to this action.

We are also enclosing a label that should be applied to your vehicle's Service and Warranty Book that explains this extended warranty coverage. A convenient location for this label is page 25 in the section entitled, "Special Programs".

Lastly, please keep this letter with your vehicle documentation for ease of reference.

We appreciate your confidence in our product, and are pleased to take this action in support of you, our valued MINI owner. Should you need additional information or assistance, you should contact MINI Customer Relations and Services toll free at 1-866-ASK-MINI (1-866-275-6464).

If this issue occurs, we sincerely apologize for any inconvenience to you, but we hope that this extended warranty reassures you that we stand behind our products.

MINI, a division of BMW of North America, LLC

**Fig. 26: Customer Letter**

## M72 01 03 Attachment

**Chart A: Color allocation of triggering circuit wires of seat wiring harness and repair wiring harness**

	<b>Seat Wiring Harness</b>	<b>Early production repair harness</b>	<b>Late production repair harness</b>
Side Airbag (Left and Right)	Violet/White	Yellow	Violet/White
	Black/White	Brown	Black/White
Belt Tensioner (Left and Right)	Green	Yellow/Red	Green
	Black	Yellow/Brown	Black

**Chart B: Color allocation of triggering circuit wires of body wiring harness and repair wiring harness**

	<b>Body Wiring Harness</b>	<b>Repair Wiring Harness</b>
Side Airbag (Left and Right)	Yellow	Yellow
	Brown	Brown
Driver's Belt Tensioner	Yellow/Red	Yellow/Red
	Yellow/Brown	Yellow/Brown
Passenger's Belt Tensioner	Blue/Red	Yellow/Red
	Blue/Brown	Yellow/Brown

**Fig. 27: Wiring Information**


---

Copyright 2011 Mitchell Repair Information Company, LLC. All Rights Reserved.

Article GUID: B00309965