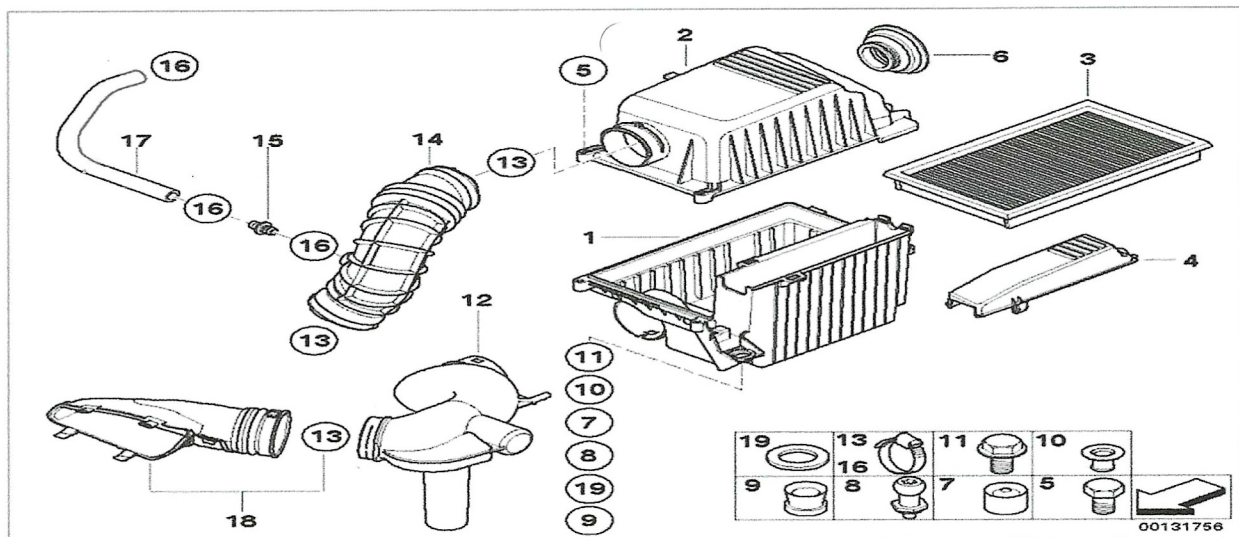


Item 24 Intake duct P/N: 13721491748 above goes to top housing (JCW), but the duct inlet diameter is the same as the top male inlet. But in the next drawing the Intake duct goes into the bottom housing, it fits. My question is No. 18 Intake manifold P/N: 13711491745 below, fits into the intake duct; but where does the end go. I think it must face or attach to the radiator support (???). I don't know if this is true as Item 18 has prongs to attach to something (???)



Any hints, as factory manual does not spell it out for routing, would be appreciated.