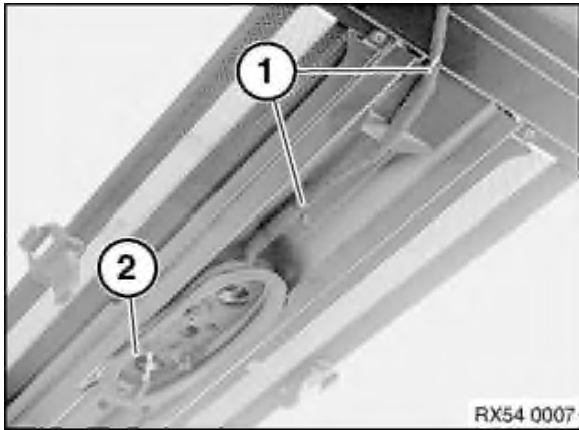


Remove headlining.

Unclip and release harness (1) from interior light holder (2).

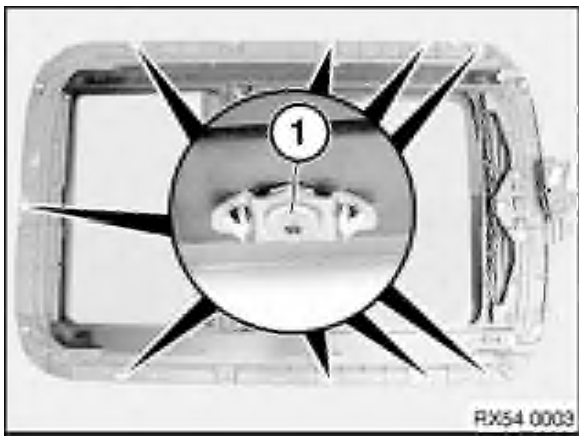


Release front drain tubes.

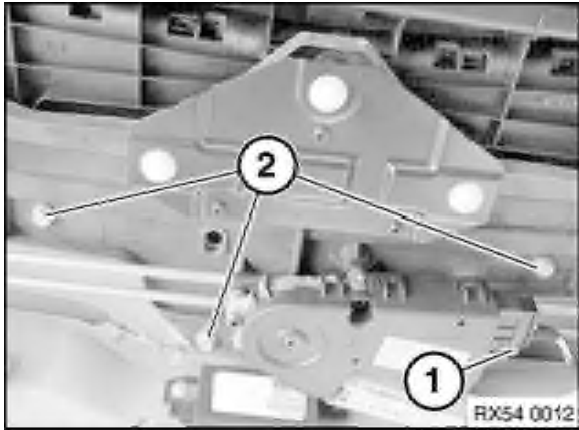


Release rear drain tubes.

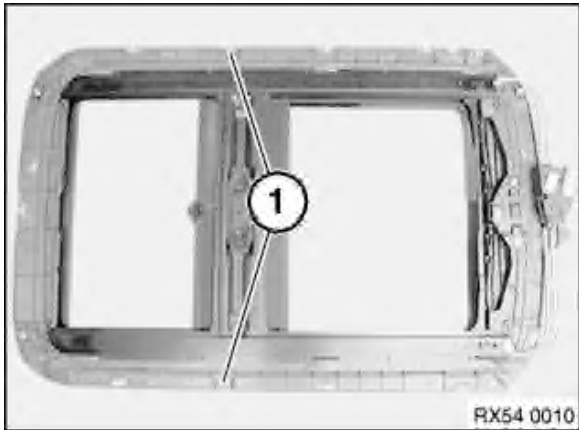




Loosen 9 tolerance compensators (1).
Tightening torque 54 12 1AZ.



Disconnect connector (1)
Remove bolts (2).
Tightening torque 54 12 2AZ.

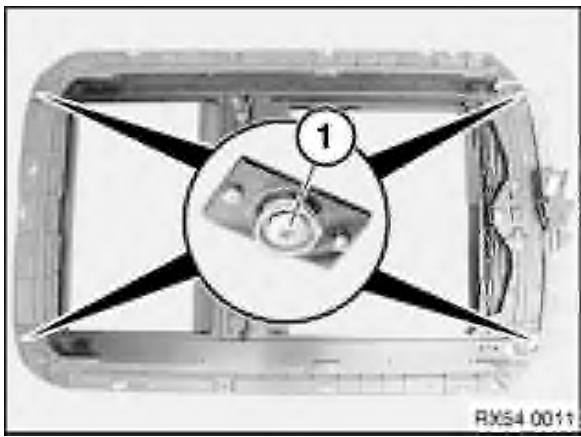


Remove bolts (1).
Tightening torque 54 12 2AZ



Caution!

Sunroof will require three people for removal.

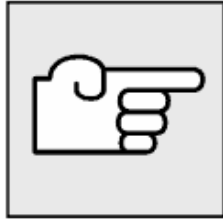


Loosen 4 height adjuster screws (1).

Remove sunroof.

Install hint:

Adjust sunroof.



Note:

A guide pin can be used at the front and rear of the sunroof, to aid positioning of sunroof to body when fitting.