

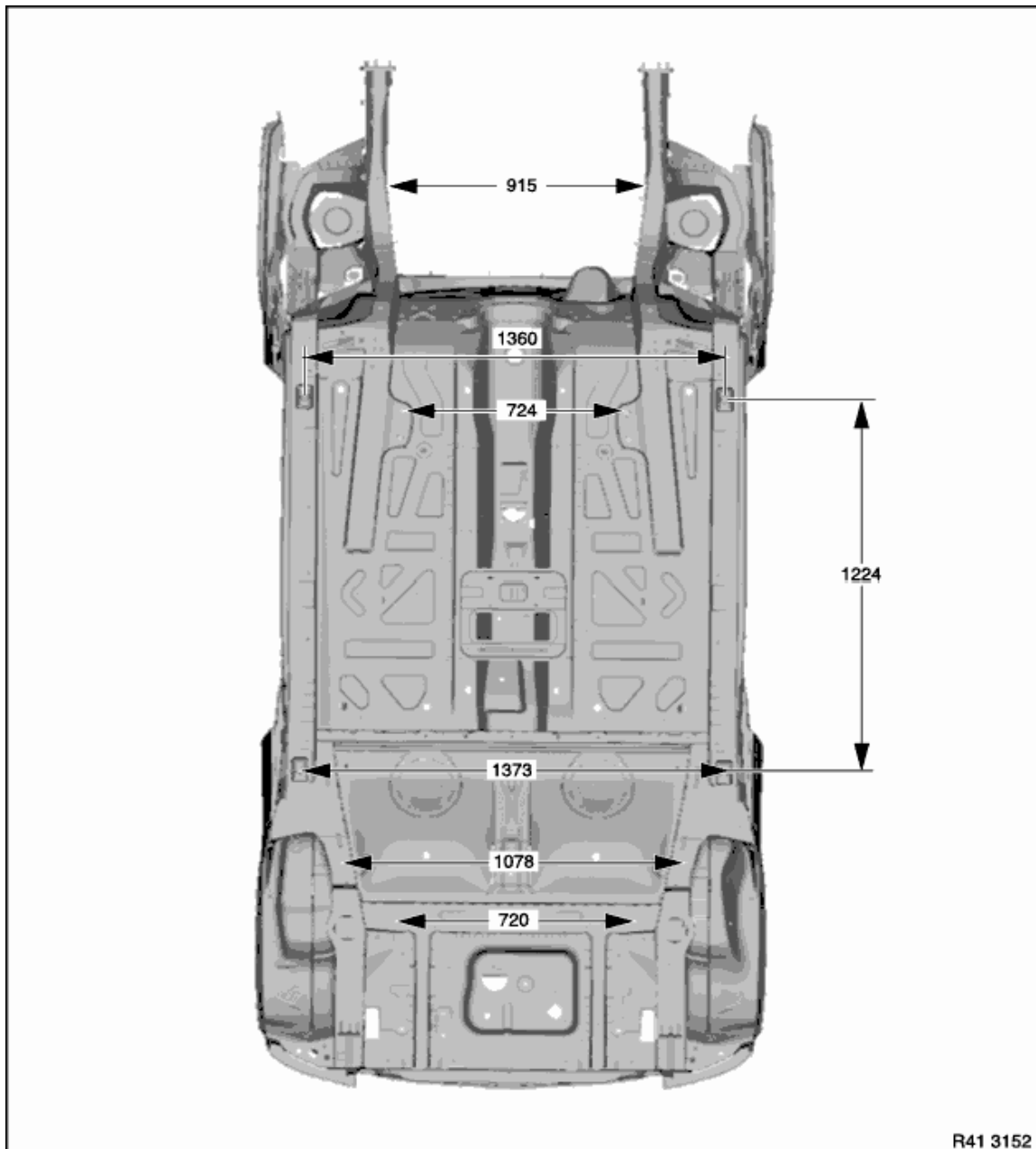
Dimensions in mm.

Measurement tolerances:

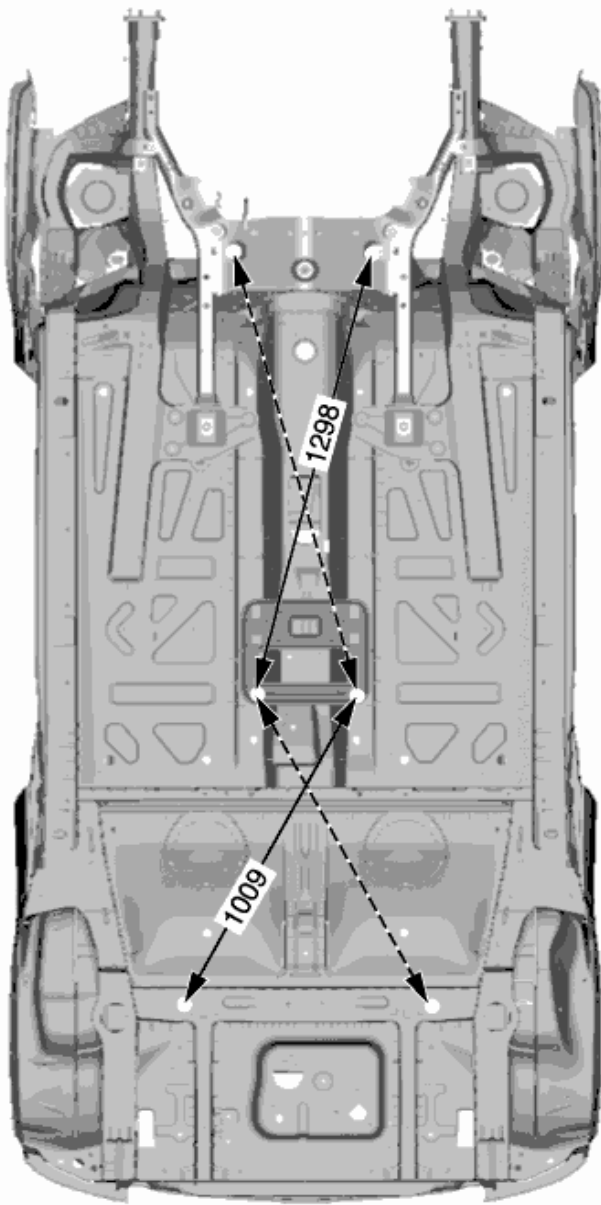
- ≤ 1000 mm ± 1.5 mm
- ≥ 1000 mm ± 2.5 mm

The control points shown serve to check the body and the straightening attachment.

Underbody view 1



Underbody view 2



R41 3153

Top view, front end

