

41 00 ... Frame alignment control dimensions, body

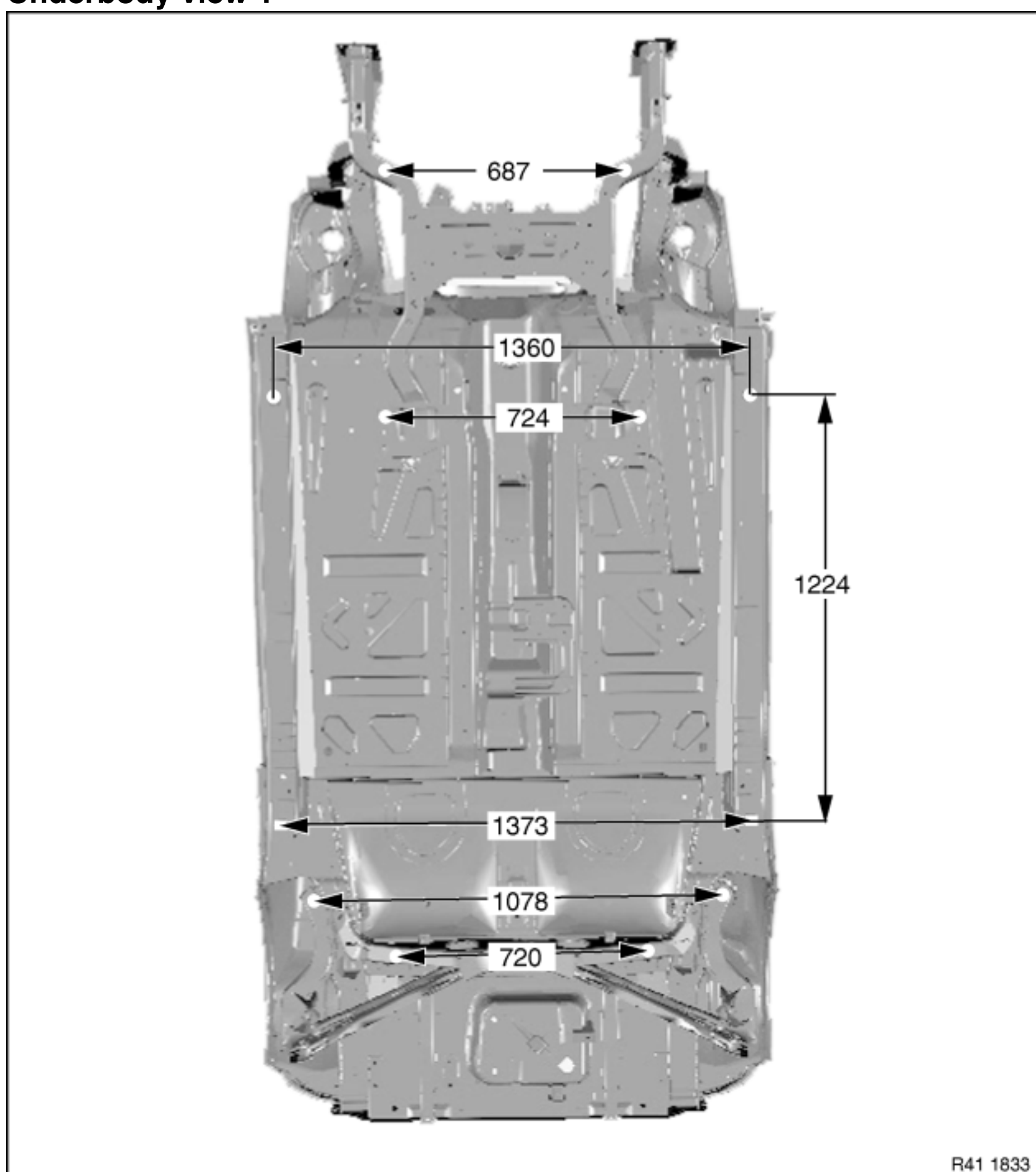
Dimensions in mm.

Measurement tolerances:

- $\leq 1000 \text{ mm} \pm 1.5 \text{ mm}$
- $\geq 1000 \text{ mm} \pm 2.5 \text{ mm}$

The control points shown serve to check the body and the straightening attachment.

Underbody view 1



Underbody view 2



Top view, front end

