



# Installation Instructions

Page 1 of 15

October 2005

Lighting, Fog Lights

Ver 2.0

Accessory  
Development

---

*These Installation Instructions supersede all previous versions.*

## **SUBJECT**

**FRONT FOG LIGHT RETROFIT KIT – P/N 63 13 0 395 387**

**REAR FOG LIGHT RETROFIT**

## **MODEL**

MINI Cooper (R50):	Vehicle SOP – On*
MINI Convertible (R52):	Vehicle SOP – On*
MINI Cooper S (R53):	Vehicle SOP – On*

## **SUGGESTED INSTALLATION TIME:**

**2.0 HOURS – F&R FOG LIGHTS FOR VEHICLES PRODUCED SOP – 07/2004**  
**5.0 HOURS – F&R FOG LIGHTS FOR VEHICLES PRODUCED 07/2004 – 11/2004 \***  
**2.5 HOURS – F&R FOG LIGHTS FOR VEHICLES PRODUCED 11/2004 – ON \*\***

*\* Note significant additional installation time required due to the required installation of rear fog light wiring.*

*\*\* Time may vary depending on vehicle options and equipment.*

The instructions below are developed for MINI vehicles and are not be compared to any other existing instructions for vehicles other than MINI. No methods other than those specified in this document are to be used for installation in MINI vehicles. Left and right are determined from driver's seat.

Carefully read all instructions and supplements before proceeding with the installation. Reference should be made to TIS for instructions dealing with a stock part of the vehicle but not stated in detail in these instructions.

The instructions were complete and up to date at time of publication; however, changes to the vehicle or installation may have occurred. Please report any problems or changes noted with the installation to BMW Technical Hotline, along with VIN, date of manufacture and as much detail as possible.

**★ ★ DO IT RIGHT THE FIRST TIME, ON TIME, EVERY TIME ★ ★**

Installation Instruction P/N 01 29 0 393 991

MINI, a division of BMW of North America, LLC

© 2005 BMW of North America, LLC

**PARTS INFORMATION****Contents of Kit - P/N 63 13 0 395 387**

<b>Description</b>	<b>Qty</b>	<b>MINI Part Number</b>
Front Fog Lamp Assembly (Right)	1	63 17 6 925 050
Front Fog Lamp Assembly (Left)	1	63 17 6 925 049
Front Fog Lamp Wiring Harness	1	61 12 0 398 198
Front Fog Lamp Relay	1	61 36 1 472 984
15-Amp Fuse	1	61 13 1 372 626
Body (speed) nut	6	07 12 9 901 656
Self-tapping screw w/ washer	6	88 10 0 391 751
Plastic Clip	16	51 43 7 048 911
Cable Ties	20	61 13 1 367 599
Cable Strap with Holder	3	61 13 0 302 611

**ADDITIONAL REQUIRED PARTS:**

<b>Description</b>	<b>MINI Part Number</b>
Switch pack (no ASC or DSC)*	61 31 6 917 985
Switch pack (ASC)*	61 31 6 917 989
Switch pack (DSC)*	61 31 6 917 993
Switch pack (no ASC or DSC)**	61 31 6 958 029
Switch pack (ASC)**	61 31 6 958 033
Switch pack (DSC)**	61 31 6 958 037
Rear Fog Lamp Assembly***	63 24 7 166 015
Rear Fog Light Retrofit Harness****	63 12 0 406 620

\* For vehicles produced prior to 09/04. Order switch pack corresponding to vehicle equipment.

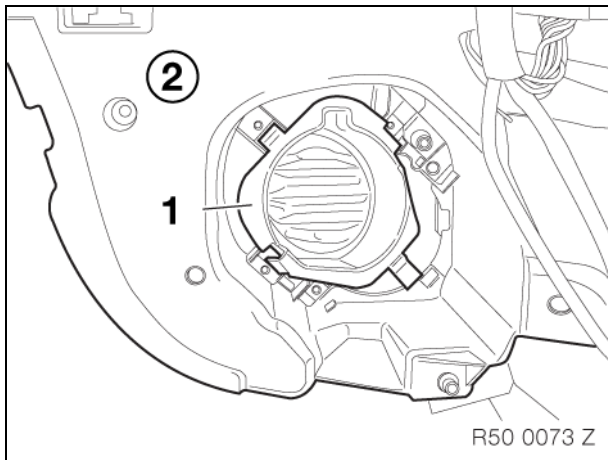
\*\* For vehicles produced after 09/04. Order switch pack corresponding to vehicle equipment.

\*\*\* Required only for vehicles built 7/2004 – On.

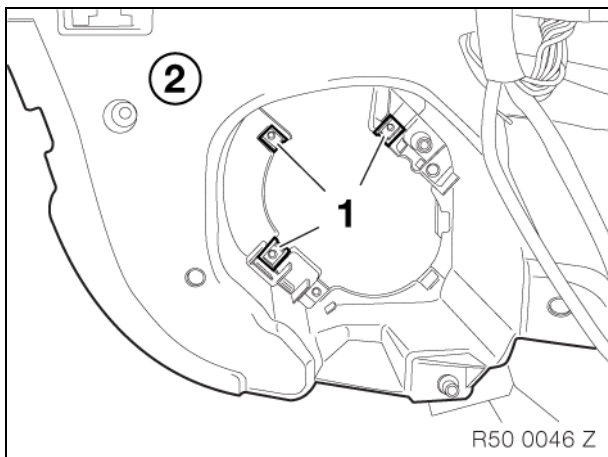
\*\*\*\* Required only for vehicles built 7/2004 – 11/2004.

**PROCEDURE FOR FRONT FOG LIGHTS:**

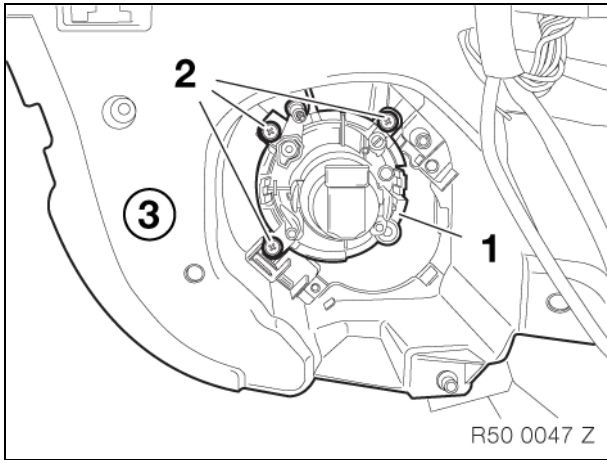
1. Disconnect vehicle battery and remove the following components:
  - Remove Left and right interior wheel arches per TIS **51 71 040**.
  - Disconnect fuse holder III in the engine compartment.
  - Remove glove box on passenger side per TIS **51 16 360**
  - Remove driver knee bolster.
  - Remove switch pack per TIS **61 31 059**.
  - Remove right door sill entrance cover strip per TIS **51 47 000**.
  - Disconnect base module from right A pillar.



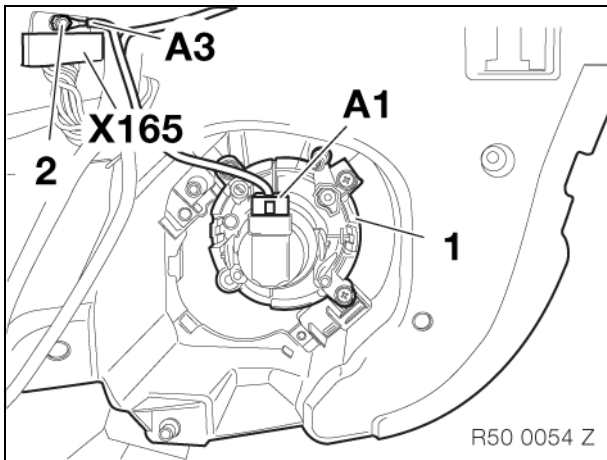
2. Unclip existing covers (1) from mounting (2).



3. Insert the enclosed speed nuts (1) in the mounting (2) as shown.

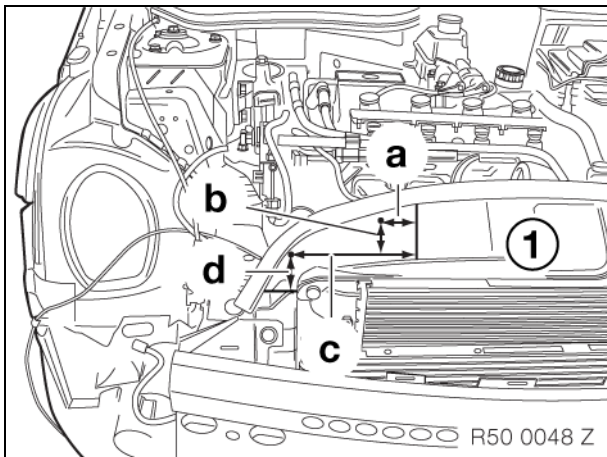


- Screw the enclosed fog light (1) to the mounting (3) using self-tapping screws 4.8 x 19mm (2).

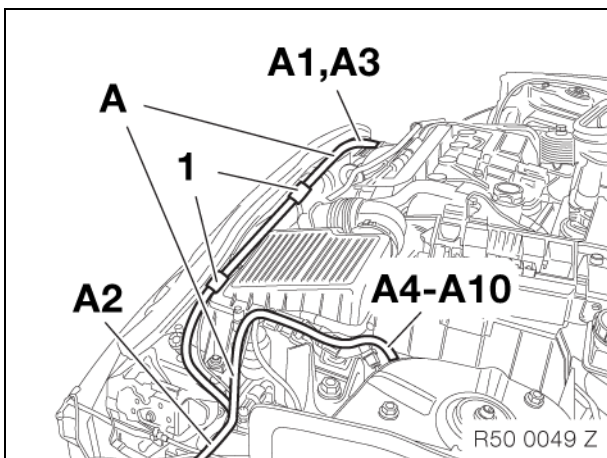


- Connect branch **A1** to the right front fog light (1). Screw branch **A3** to the joint connector **X165** using the existing hexagonal nut.

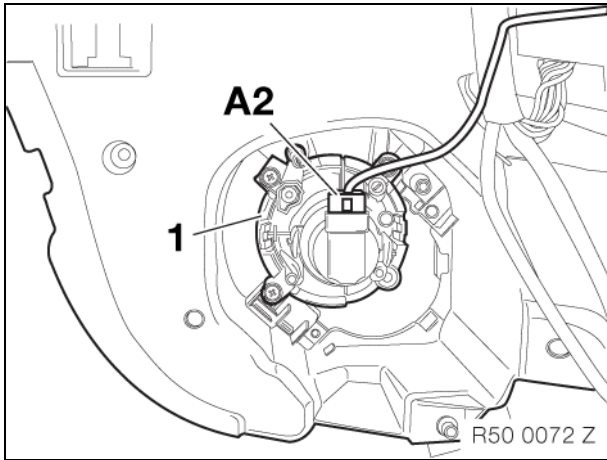
***NOTE:*** Connector on fog lamp may be facing down, not up, as shown in photo.



- Mark dimensions **A-D** on blower cover (1) and drill with 6mm twist drill.
- Insert included binders from inside and secure wiring harness **A** to them.

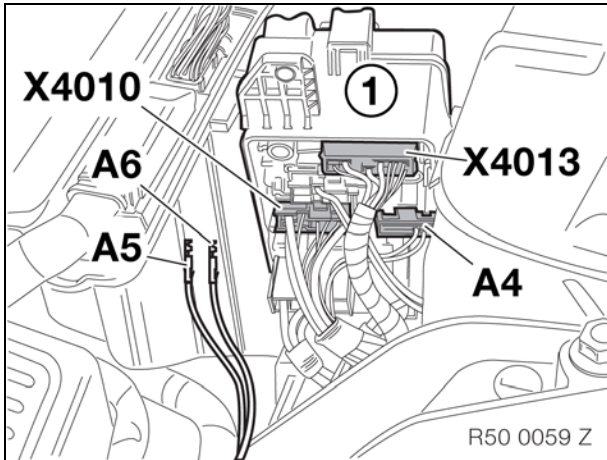


- Lay wiring harness **A** along blower wiring harness on left-hand side of the car as shown. Clip harness into securing clips (1) and secure to standard wiring harness with cable ties.

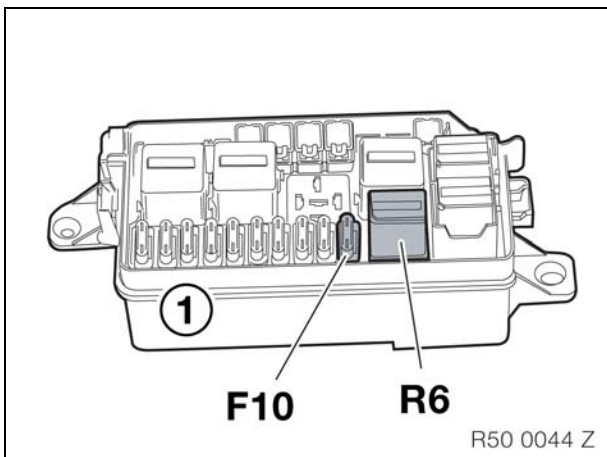


9. Connect branch **A2** to the left fog light (1).

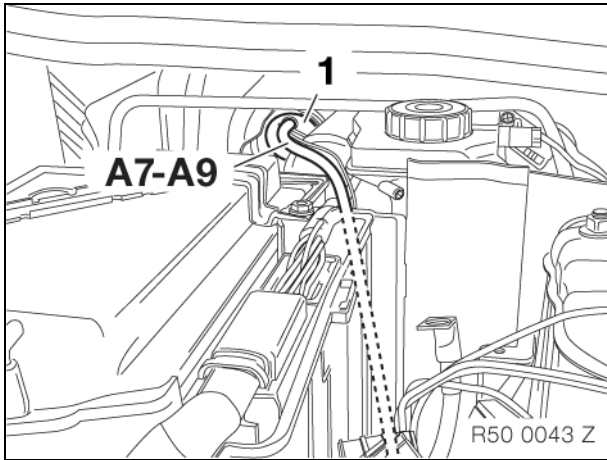
**NOTE:** Connector on fog lamp may be facing down, not up, as shown in photo.



10. Connect branch **A5**, yellow/brown (GE/BR) cable to white 12-pin plug **X4013** in **PIN 7**.
11. Connect branch **A6** brown/green (BR/GN) cable to black 10-pin plug **X4010** in **PIN 6**.
12. Note that connector **A4** is of the same type as the connector currently installed in fuse holder III. Pins **3 & 4** in fog light harness should be populated with yellow/brown wires. Pins **1 & 2** should be populated in the vehicle connector.
13. Carefully remove white connector from fuse holder III in vehicle.
14. Carefully disassemble connector **A4** on fog light harness by removing plastic lock. Remove pins **3 & 4** from fog light harness and insert in slots **3 & 4** in matching vehicle connector.
15. Reinsert white connector (with all 4 pins populated) in to fuse holder III.

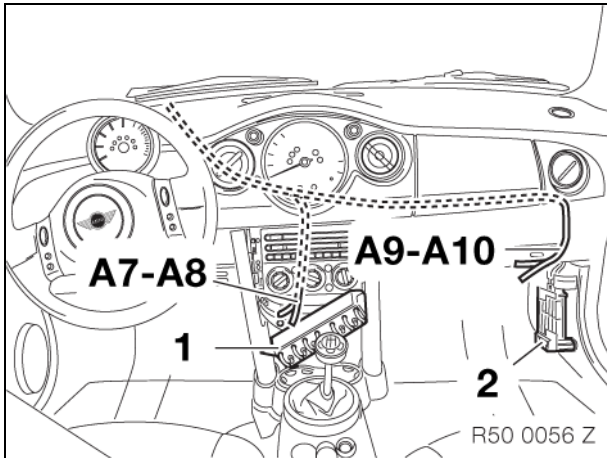


16. Insert enclosed 15A fuse into position **F10** and relay **R6** into fuse holder III as shown (may already be factory installed).



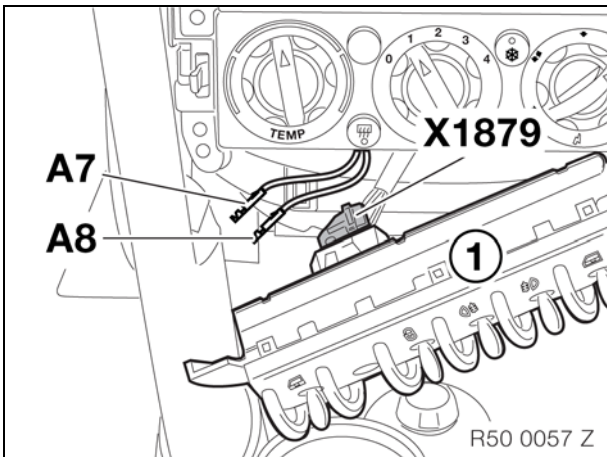
17. Lay branches **A7 – A10** through rubber grommet (1) into interior of vehicle.

***NOTE:*** If vehicle is equipped with **RMFD control unit EGS**, this unit may need to be temporarily removed to gain access to interior side of grommet.



18. Lay branches **A7 – A8** to new switch pack (1) and branches **A9 – A10** to base module (2) on the right-side A-pillar.

19. Secure cables to standard wiring harness using cable ties.

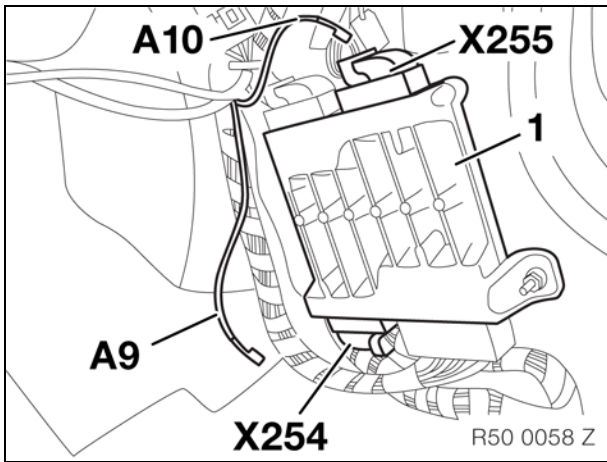


20. Connect branch **A7** yellow/brown (GE/BR) cable to black 18-pin plug **X1879** in the switch pack (1) in **PIN 17**.

21. Connect branch **A8** yellow/black (GE/SW) cable to black 18-pin plug **X1879** in switch pack in **PIN 13**.

22. Connect plug **X1879** to back of new switch pack.

***IMPORTANT:*** Please ensure that correct switch pack has been ordered and installed per parts page.



23. Disconnect plugs **X254** and **X255** from the base module (1).
24. Connect branch **A9** brown/green (BR/GR) cable to white 54-pin plug **X254** on base module (1) in **PIN 40**.
25. Connect branch **A10** yellow/black (GE/SW) cable to blue 54-pin plug **X255** on base module (1) in **PIN 5**.
26. Reconnect plugs **X254** and **X255** to base module (1).
27. Reconnect and reassemble components removed prior to installation.

### Proceed to Retrofit Coding

**RETROFIT CODING - FRONT FOG LIGHTS**

After installing the Fog Lamp Kit, the vehicle should be re-coded with DIS/GT1 SW 39 or higher, using the "Retrofit" path to ensure that the system works properly with the systems currently installed in the vehicle. The recoding is done automatically when using the following "retrofit" procedure:

- Connect DISPlus or GT1 to vehicle (with SW 39 or higher installed)
- Turn on ignition
- Select "Coding ZCS/FA"
- Series: "Ser R50/R52/R53"
- Path: "Retrofit"
- System: "Fog Lamps".
- Follow the on screen requests to activate the coding procedure.

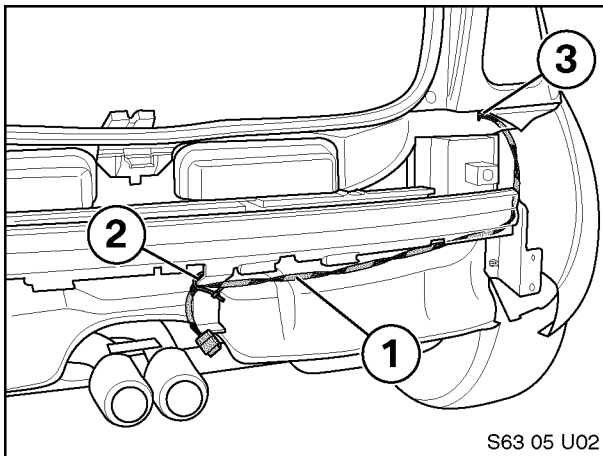
**PROCEDURE FOR REAR FOG LIGHTS: VEHICLE PRODUCTION PRIOR TO 7/2004:**

Vehicles produced prior to 7/2004 have rear fog lights integrated into tail light assemblies (with the exception of vehicles with clear tail lights). No additional installation is necessary – please proceed to retrofit coding procedure for rear fog lights to activate fog light switch.

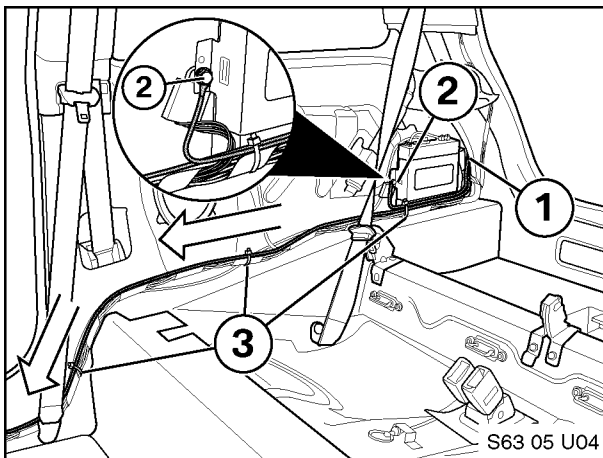


**PROCEDURE FOR REAR FOG LIGHTS: VEHICLE PRODUCTION 7/2004 TO 11/2004:**

1. Disconnect vehicle battery and remove the following components:
  - Remove Rear Bumper per TIS 51 12 156.
  - Remove trunk interior trim per TIS 51 47 101.
  - Remove rear seat cushion per TIS 52 20 010 and rear seat backs per TIS 52 20 070.
  - Remove right rear interior trim panel per TIS 51 43 002.
  - Remove glove box on passenger side per TIS 51 16 360.
  - Remove right door sill entrance cover strip per TIS 51 47 000.
  - Disconnect base module from right A pillar.



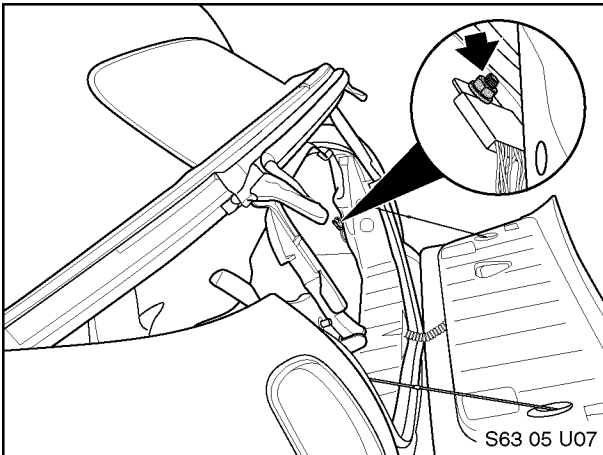
2. Feed rear fog light harness (1) **P/N 63 12 0 406 620** through body grommet (3). Secure harness to body at bumper mount (2).

**FOR MINI COOPER AND COOPER S COUPE:**

3. Route harness from grommet (1) along floor pan at right of vehicle.
4. Attach grounding ring terminal to ground stud (2) of connector **X494** at right side of vehicle.
5. Fasten harness to existing vehicle harness with wire ties (3).

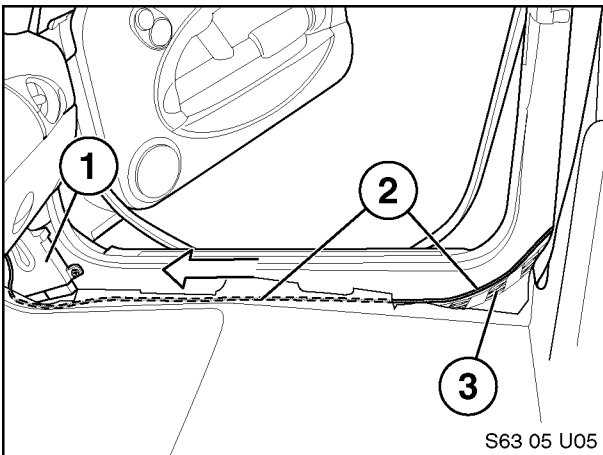
**PROCEED TO STEP 9.**

**FOR MINI COOPER AND COOPER S CONVERTIBLE:**

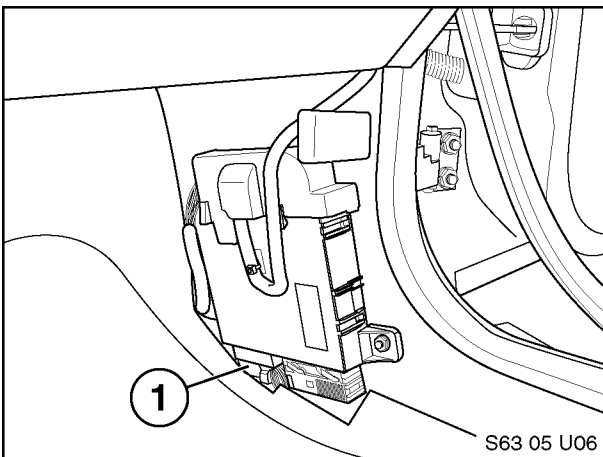


6. Route harness along right hand side floor pan.
7. Attach harness ring terminal to ground stud (connector **X494**) at right of rear hatch as shown.
8. Fasten harness to existing vehicle harness with wire ties.

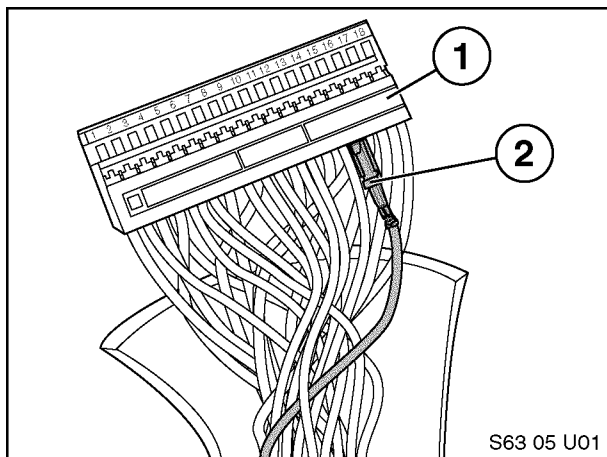
**PROCEED with STEP 9.**



9. Continue harness routing forward along doorsill area, keeping new harness (3) along same routing as existing harness. Fasten to existing harness with wire ties (2).
10. Route harness to base module (1) at lower A-pillar area of vehicle.

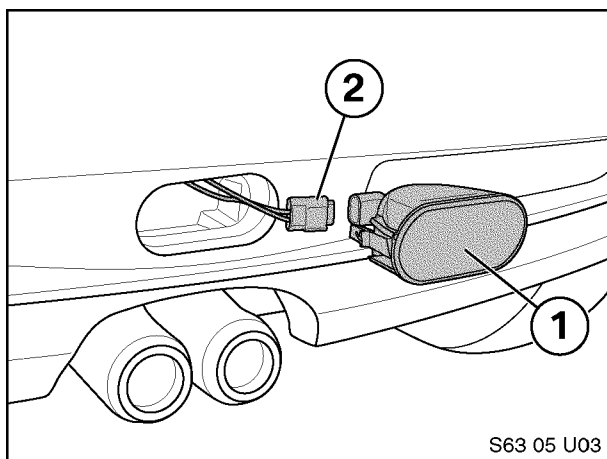


11. Locate white connector (1) of connector **X254** at lower forward portion of module.
12. Disconnect connector from module and disassemble connector by removing housing.



13. Insert pin from rear fog light harness into position 15 (labeled on connector) of white module connector.

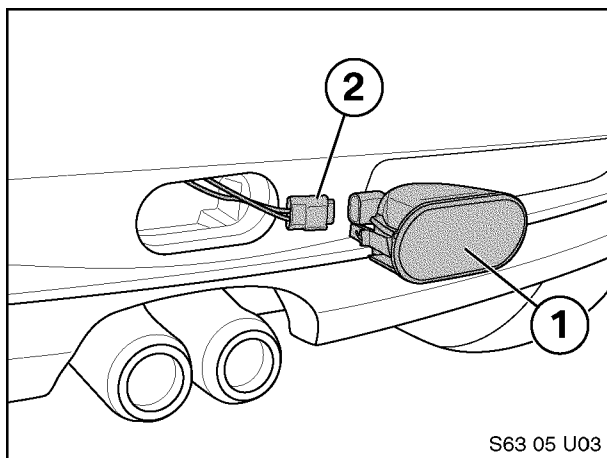
***CAUTION : INSERT PIN ONLY INTO POSITION 15 IN THE CONNECTOR. INSERTING INTO ANOTHER POSITION IN THE CONNECTOR COULD DAMAGE THE VEHICLE ELECTRICAL SYSTEM.***



14. Re-attach bumper to vehicle. Be sure not to pinch new harness in bumper area.
15. Connect rear fog light P/N 63 24 7 166 015 (1) to harness installed in bumper area (2).
16. Re-install all components removed in previous steps.

**Proceed to Retrofit Coding**

**PROCEDURE FOR REAR FOG LIGHTS: VEHICLE PRODUCTION 11/2004 - ON:**



1. Remove cover from lower center of bumper.
2. Locate harness behind bumper (connector **X11545**) and remove protective tape if necessary.
3. Connect rear fog light P/N 63 24 7 166 015 (1) to harness installed in bumper area (2).

**Proceed to Retrofit Coding**

**RETROFIT CODING - REAR FOG LIGHTS**

After installing the Rear Fog Lamp Kit, the vehicle should be re-coded with DIS/GT1 SW 39 or higher, using the "Retrofit" path to ensure that the system works properly with the systems currently installed in the vehicle. The recoding is done automatically when using the following "retrofit" procedure:

- Connect DISPlus or GT1 to vehicle (with SW 39 or higher installed)
- Turn on ignition
- Select "Coding ZCS/FA"
- Series: "Ser R50/R52/R53"
- Path: "Retrofit"
- System: "Rear Fog lights USA".
- Follow the on screen requests to activate the coding procedure.



**Legend**

A1	Base Module
A48	Fuse holder III
E26	Fog light, left
E27	Fog light, right
S241	Switch pack
X165	Ground/Earth IA
X254	Base module C
X255	Base module D
X768	Fog light, left
X769	Fog light, right
X1879	Switch pack
X4010	Fuse holder III
X4013	Fuse holder III
X4014	Fuse holder III

**TROUBLE SHOOTING**

<b>Situation</b>	<b>Correction</b>
One front fog lamp does not function	Check electrical connection at rear of fog lamp.
Neither front fog lamp functions	<ol style="list-style-type: none"> <li>1. Verify that vehicle has been coded properly for fog lamps.</li> <li>2. Check electrical connections at fuse box / fuse holder III.</li> <li>3. Verify that proper switch pack has been installed.</li> <li>4. Verify that both fuse and relay have been properly installed in fuse box / fuse holder III.</li> </ol>
Rear fog lamp does not function.	<ol style="list-style-type: none"> <li>1. Verify that vehicle has been properly coded for rear fog lamps.</li> <li>2. Verify that rear fog lamp has been properly connected at lamp (center-mount lamps only)</li> <li>3. (07/2004 – 11/2004 Production only) Verify that rear fog lamp harness is not pinched and verify that proper connection has been made to pin 15 at base module.</li> </ol>
Front fog lamps flicker or are improperly aimed.	Verify that fog lamps have been securely bolted to vehicle and that connections have been securely made.