

Genuine MINI Accessories.

Installation instructions.



Retrofit - Navigation Portable

MINI Clubman (R 55)

MINI Clubman S (R 55)

MINI One (R 56)

MINI Cooper (R 56)

MINI Cooper S (R 56)

MINI Cooper Convertible (R 57)

MINI Cooper S Convertible (R 57)

Retrofit cannot be installed in vehicles equipped with option SA 609 (navigation system Professional).

Retrofit Kit No.: 65 90 2 155 951 Holder for navigation Portable

Installation time

The installation time of **approx. 0.5 hours** may vary depending on the vehicle's condition and equipment.

Important information

These installation instructions are primarily designed for use within the MINI dealership organization and by authorized MINI service companies.

The target group for these installation instructions is specialist personnel trained on MINI cars with the appropriate specialist knowledge.

All work must be completed using the latest BMW repair manuals, circuit diagrams, servicing manuals and work instructions, in a rational order, using the prescribed tools (special tools) and observing current health and safety regulations.

In the event of installation or functional problems, limit troubleshooting to approx. 0.5 hours for mechanical jobs and approx. 1.0 hours for electrical jobs.

To avoid unnecessary work and costs, send a corresponding inquiry via the Aftersales Assistance Portal (ASAP) to Technical Support.

Please quote the following:

- Vehicle identification number
- Part number of retrofit kit
- Exact description of the problem
- Work already carried out.

Do not archive the hard copy of these installation instructions since daily updates are made by ASAP!

Pictograms



Denotes instructions that draw your attention to dangers.



Denotes instructions that draw your attention to special features.

◀ Denotes the instruction or information text.

Customer information

The section "Customer information" at the end of the installation instructions is to be printed out and handed over to the customer.

Installation information

All illustrations show LHD drive vehicles; follow the same procedure analogously on RHD vehicles.

When routing cables/leads, make sure that they are not kinked or damaged. Any costs incurred will not be reimbursed by BMW AG.

Additionally routed cables and/or leads must be secured with cable ties.

Bridges, double crimp or parallel connections must be made if the specified PIN chambers are already occupied.

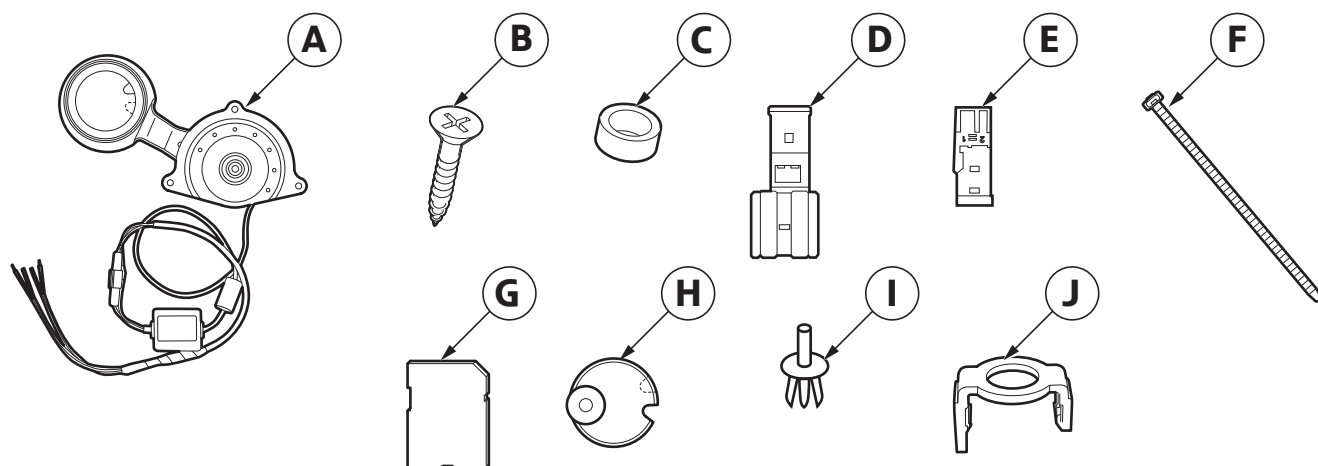
Special tools required

None

Table of Contents

Section	Page
1. Parts overview	4
2. Preparatory work	5
3. Overview of connections	6
4. Installation and layout diagram	7
5. Installation	8
6. Finishing off	10
7. Customer information	11

1. Parts overview



R57 0009 Z

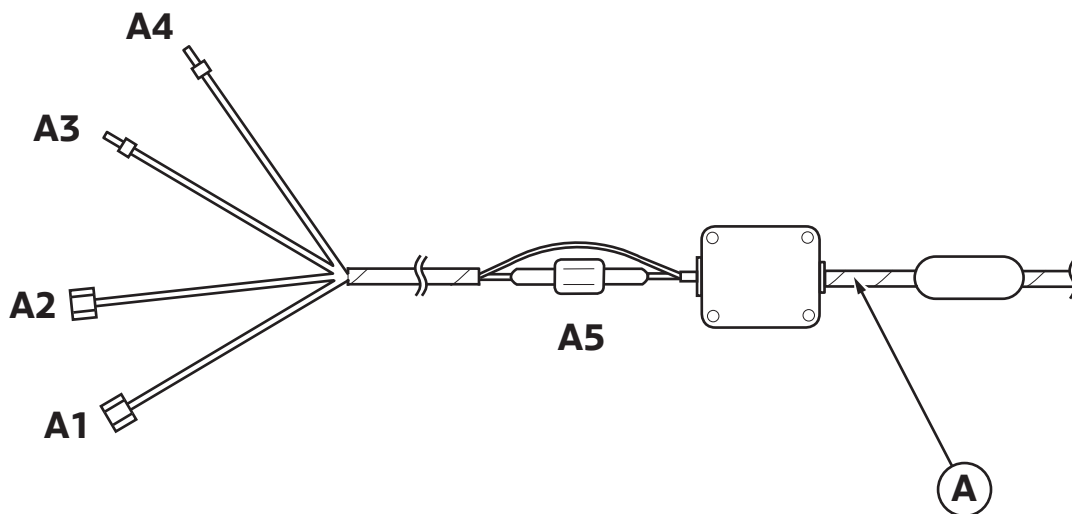
Legend

- A** Holder for navigation device
- B** Screw (3x)
- C** Spacer bush (3x)
- D** 2-pin black pin housing
- E** 2-pin, black socket housing
- F** Cable tie (5x)
- G** SD card
- H** Adaptor
- I** Clip (2x)
- J** Retaining clip

2. Preparatory work

	ISTA No.
Perform quick test	---
Disconnect negative terminal of battery	12 00 ...
The following components must be removed in advance	
Dashboard panel, bottom left	51 45 180
Steering column rev counter	62 10 100

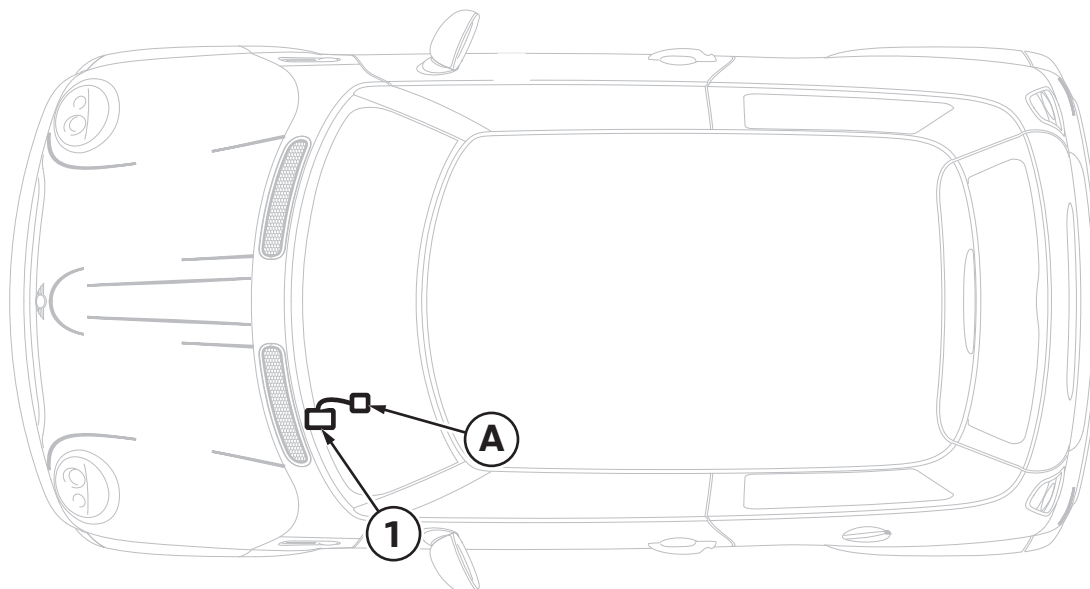
3. Overview of Connections



050 1005 V

Branch/ item	Description	Signal	Cable colour/ cross- section	Plug-in location in vehicle	Designation/ plug-in slot
A	Wiring loom, holder for navigation device	---	---	---	---
A1	Socket contact	Kl. 15	RT 0.50 mm ²	At connector X9002 (18-pin, black), under dashboard on left	X9002 PIN 17
A2	Socket contact	Kl. 31	SW 0.50 mm ²	At connector X9002 (18-pin, black), under dashboard on left	X9002 PIN 18
A3	Pin contact	Kl. 15	RT 0.50 mm ²	At pin housing D	PIN 2
A4	Pin contact	Kl. 31	SW 0.50 mm ²	At pin housing D	PIN 1
A5	Fuse	---	---	---	---

4. Installation and layout diagram



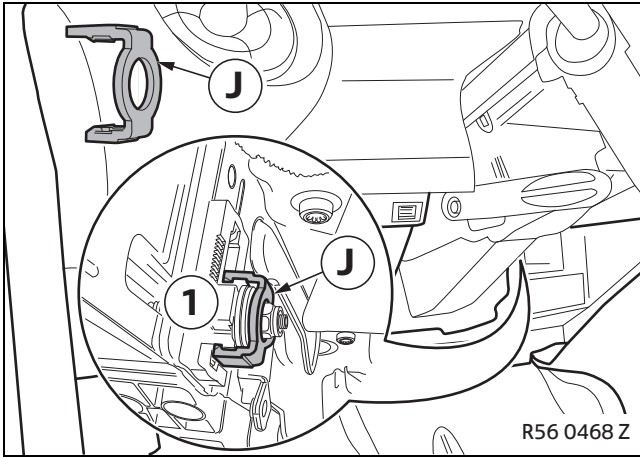
R57 0013 Z

Legend

A Holder for navigation device

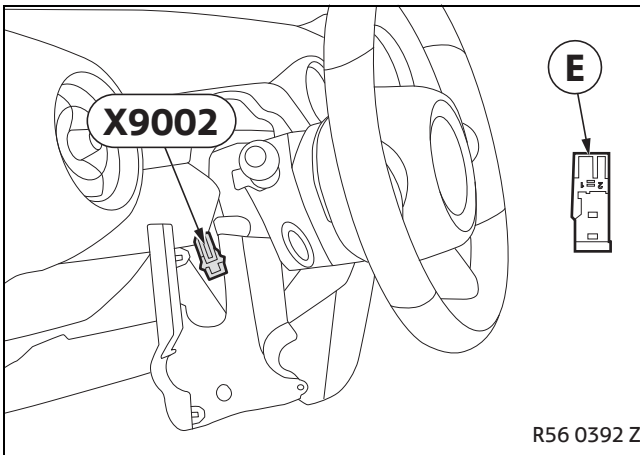
1 Connector **X9002**

5. Installation



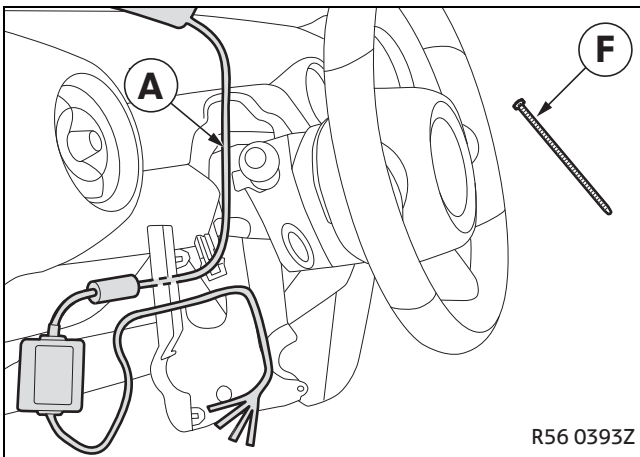
Move steering column to lowermost position.

Fit retaining clip **J**, with longer arm pointing upwards, in steering column adjustment element (1).



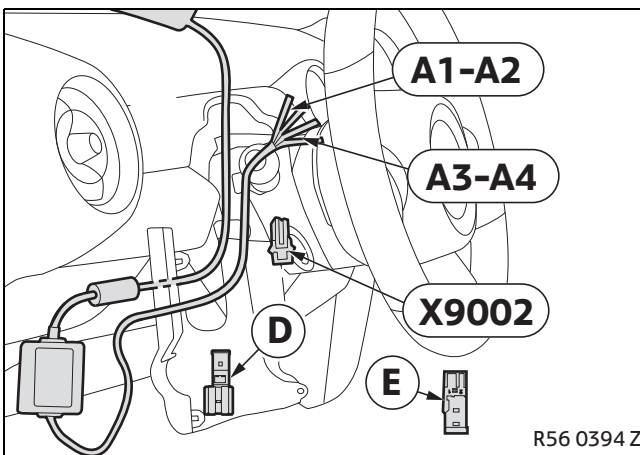
Disconnect plug connection **X9002**, 18-pin SW, and unplug wires from PIN 17 and PIN 18 and plug in at socket housing **E** as follows:

- Wire from PIN 17, BL/RT wire, at PIN 2
- Wire from PIN 18, BR wire, at PIN 1



Route the wiring loom for navigation device holder **A** from the steering column along the existing vehicle wiring harness to behind the dashboard.

Secure wiring loom **A** to vehicle wiring harness with cable tie **F**.

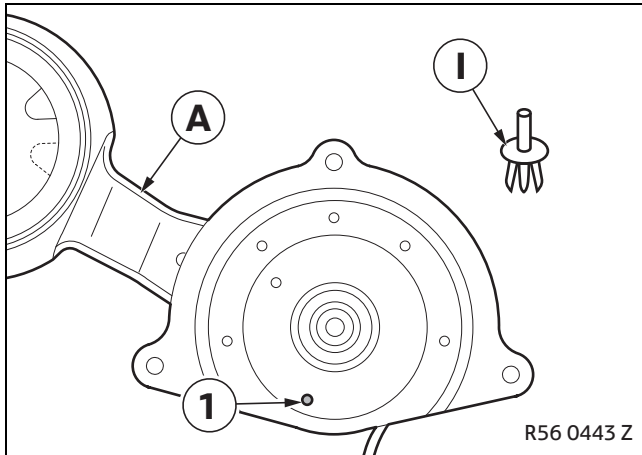


Plug in on branches **A1** and **A4** as follows:

- Branch **A1** at PIN 17 of connector **X9002**
- Branch **A2** at PIN 18 of connector **X9002**
- Branch **A3** at PIN 2 of pin housing **D**
- Branch **A4** at PIN 1 of pin housing **D**

Connect socket housing **E** to pin housing **D**.

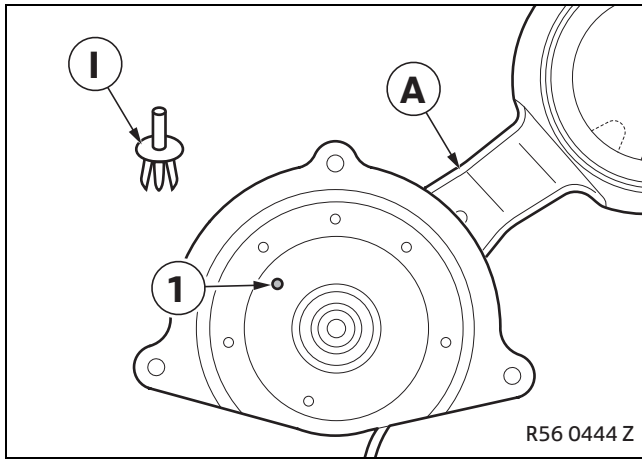
5. Installation



Only LHD vehicles

▶ To ensure freedom of movement of the holder for navigation device **A** when the steering column is adjusted to the topmost position the pivot range can be limited by clip **I**. Clip **I** can be omitted when the steering column is adjusted to the mid or lower position, thus allowing use of the full movement range of the bracket for navigation device **A**. ◀

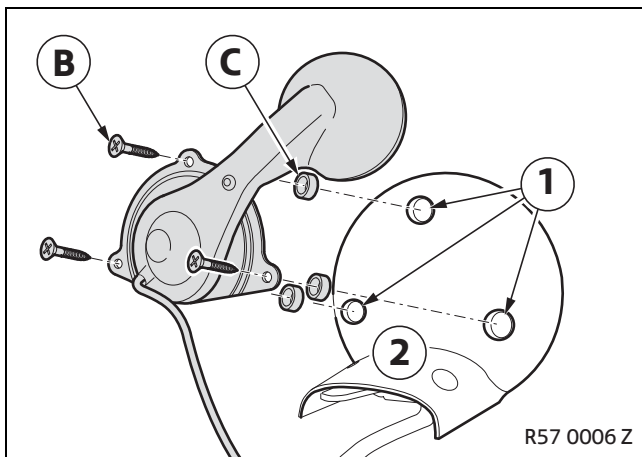
Fit clip **I** at position (1) in the holder for navigation device **A**.



Only RHD vehicles

▶ To ensure freedom of movement of the holder for navigation device **A** when the steering column is adjusted to the topmost position the pivot range can be limited by clip **I**. Clip **I** can be omitted when the steering column is adjusted to the mid or lower position, thus allowing use of the full movement range of the bracket for navigation device **A**. ◀

Fit clip **I** at position (1) in the holder for navigation device **A**.



All vehicles

▶ To ensure navigation device **A** can be turned, make sure the cable of the holder for navigation device **A** is sufficiently long when installing the steering column instrument (2). ◀

Undo screws (1) on steering column instrument (2) (no longer required).

Secure holder for navigation device **A** with screws **B** and spacer bushes **C** to steering column instrument (2).

6. Finishing off

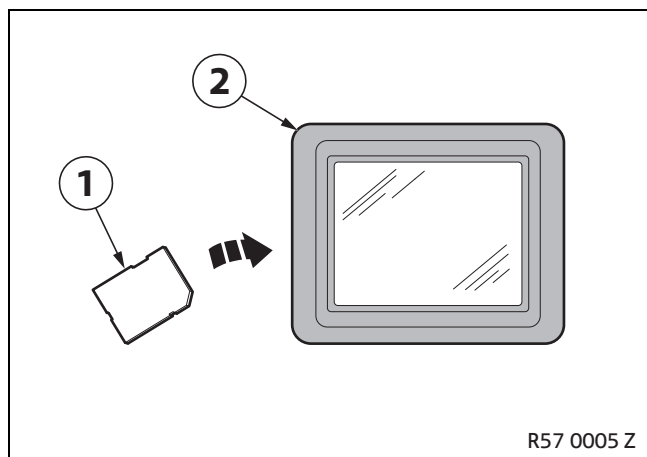
The retrofit system does not require encoding.

- Reconnect vehicle battery
- Conduct operating test
- Perform quick test
- Reassemble vehicle in reverse order.




The "Customer information" at the end of the installation instructions, SD card **G** and adaptor **H** supplied with the parts kit should be handed over to the customer. ◀

7. Customer information



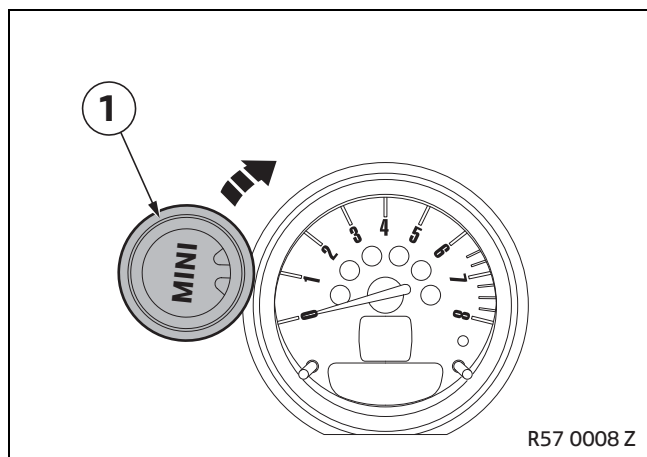
Installing navigation software

 The SD card (1) contains navigation software and can only be used together with following Garmin units: Garmin Nüvi 255, Garmin Nüvi 265, Garmin Nüvi 550, Garmin Nüvi 1250. ◀


Insert the SD card (1) in the navigation device (2). Installation starts automatically.

Switch on the navigation device (2).

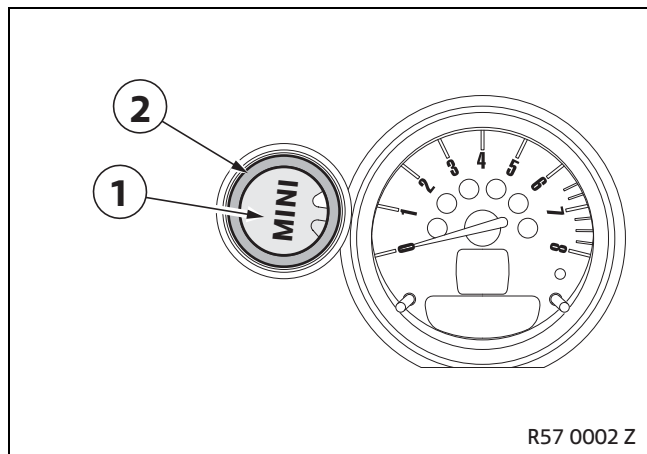
Wait until the navigation device (2) restarts and do not remove the SD card (1) before the restart.



Using the navigation device holder

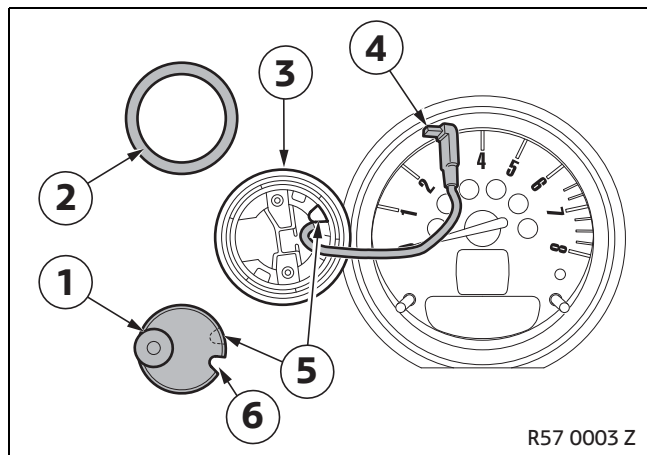
 To facilitate operation, the navigation device (1) can be turned to the upper position.

The navigation device (1) must be turned to the left or right position while driving to ensure an unobstructed view. ◀



Remove the retaining ring (2) by turning it to the left until it is loose.

Remove adaptor (1). The adaptor (1) already installed is only suitable for Garmin navigation devices.



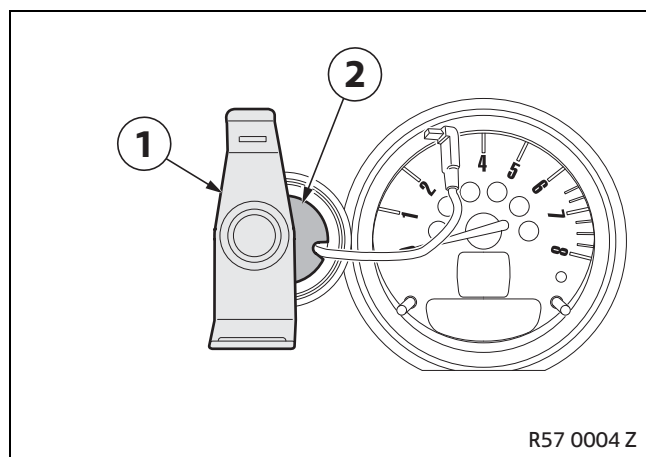
Depending on the type of navigation device used, you can use either the adaptor (1) already installed for Garmin navigation devices or the additional adaptor for TomTom navigation devices.

Completely pull out cable (4).

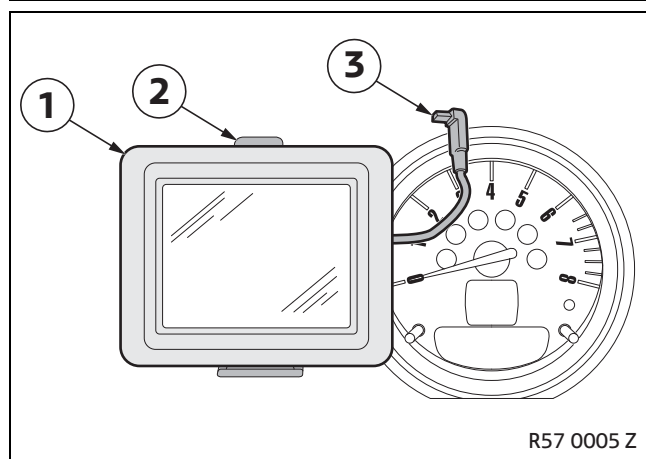
Fit adaptor (1) in the holder for navigation device (3). Make sure that the locator lugs (5) match and cable (4) is located in recess (6).

Insert the retaining ring (2) and tighten by turning it to the right.

7. Customer information

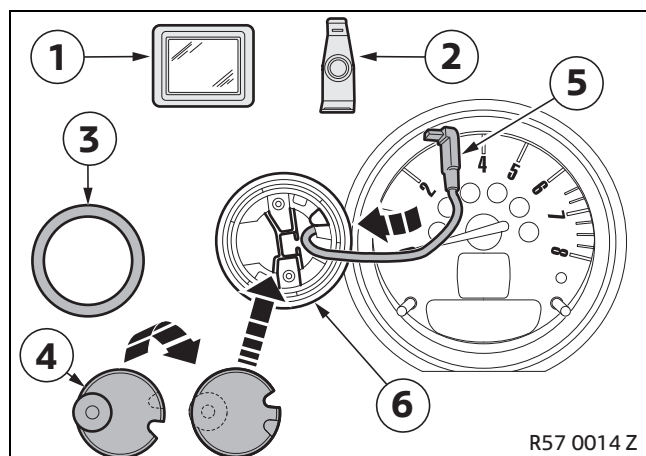


Fit GPS holder (1) on to adaptor (2).



Connect cable (3) to navigation device (1).

Fit navigation device (1) in GPS holder (2).



▶ To prevent theft of your navigation device (1), you should remove it from holder (6) and store it in a safe place when leaving the vehicle. In order not to arouse interest in the possibility of there being a navigation device (1) stored in the vehicle the holder (6) for the navigation device should also be dismantled. ◀

Remove GPS holder (2) from adaptor (4).

Remove the retaining ring (3) by turning it to the left until it is loose.

Remove adaptor (4).

Completely push cable (5) back into the navigation device holder (6).

Fit adaptor (4) in the holder for navigation device (6) with the mounting sphere facing inward.

Insert the retaining ring (3) and tighten by turning it to the right.