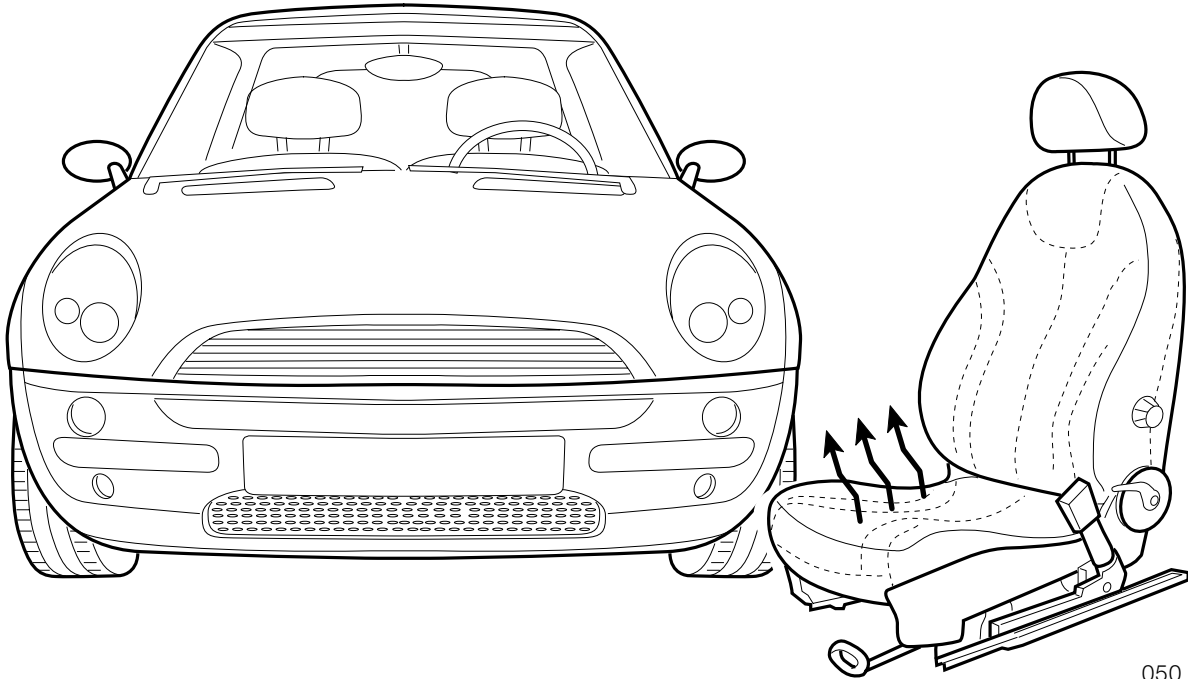




Parts and Accessories Installation Instructions



050 0020 B

Installation Kit for Front Seat Heating System MINI (R 50/R 53) LHD and RHD

The installation time is approx. 3.0 hours, but this may vary depending on the condition of the car and the equipment in it.

Retrofit kit No. 61 11 0 145 996

Contents

Section	Page
Important information for the installation of the additional instruments.....	3
1. Preparations	4
2. Parts list.....	5
3. Connection diagram	6
4. Installation and cabling diagram (LHD cars only)	7
5. Installation and cabling diagram (RHD cars only)	8
6. To install the seat heating system wiring harness	9
7. Coding.....	12
8. Circuit diagram.....	13

Important information for the installation of the additional instruments

Only for use in the Mini dealer organisation.

The seat heating system wiring harness may only be installed by a specialist workshop that has the required special tools and manuals (servicing, repair, diagnostics, etc.).

Ensure that the cables/lines are not kinked or damaged as you install them in the car. Additional cables/lines that you install must be secured with cable ties/textile adhesive tape.

Item numbers refer only to the overview drawings and to the texts next to the appropriate figure.

Subject to technical modifications



The seat covers with integrated seat heating system are not supplied with the installation kit and must be ordered separately using the electronic parts catalogue (EPC) and installed as set out in the parts information system (TIS). ◀

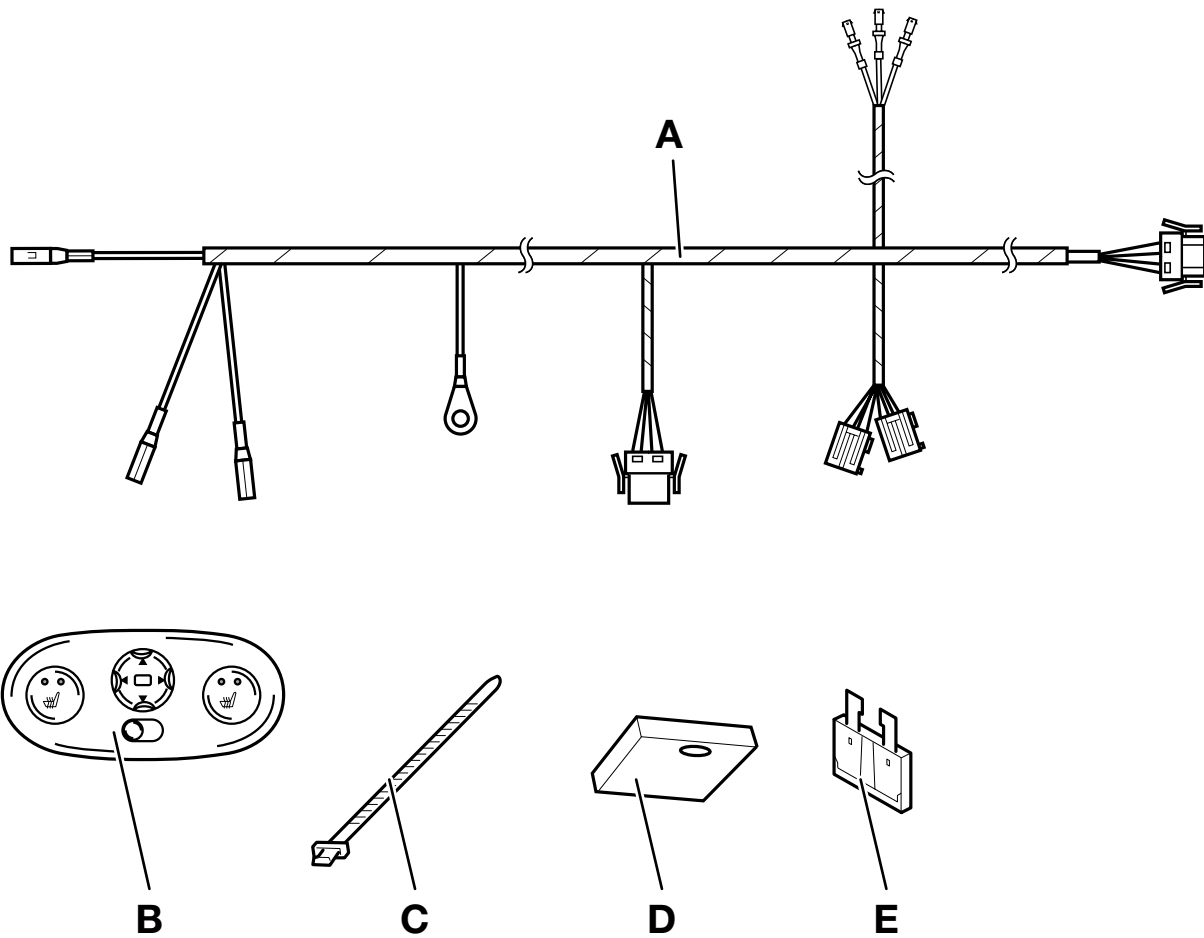
Special tools required

None

1. Preparations

	TIS instruction No.
Disconnect the battery	12 00 ...
Remove the driver/passenger seat	---
Remove the rear seat bench	---
Remove the door sill strips on both sides	51 47 000
Remove the cover on the handbrake	---
Undo the shifting gate	---
Remove the bottom steering column trim	---
Undo the selector lever gate	---
Remove the mirror adjustment switch (no longer required)	---

2. Parts list

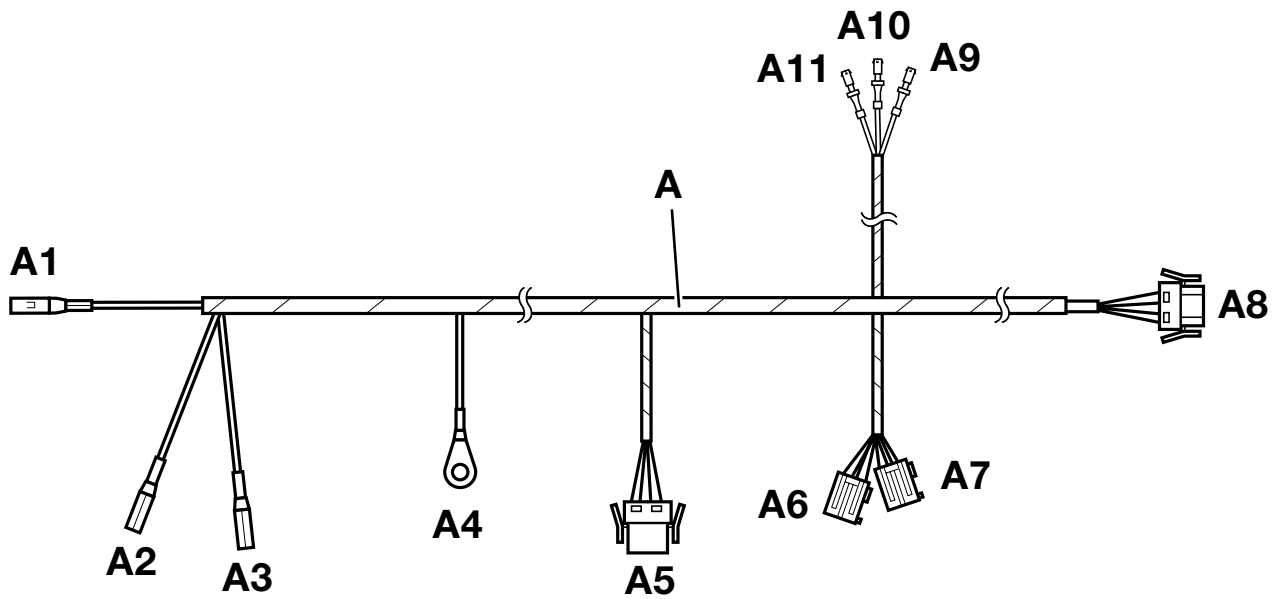


050 0021 B

Legend

- A Seat heating system wiring harness
- B Seat heating system switch
- C Cable tie (20x)
- D 5-way joint connector (only required if the joint connector is occupied)
- E 20 A fuse

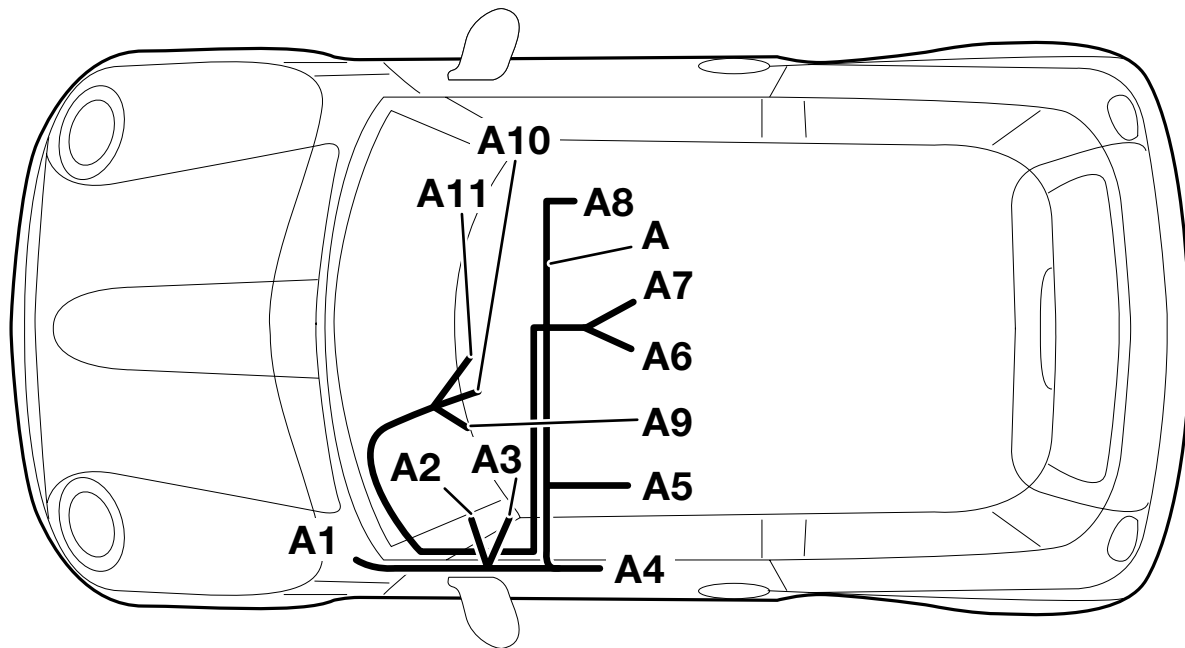
3. Connection diagram



050 0022 B

Item	Description	Signal	Cable colour / Cross-section	Connection location in the car	Abbreviation / Slot
A	Seat heating system connection cable	---	---	---	---
A1	Blade terminal contact	Terminal 30	RT/VI	To fuse holder	X10206, PIN 8
A2	Blade terminal contact	Terminal 58g	GR/RT	To joint connector left	X1019
A3	Blade terminal contact	Terminal 58g	GR/RT	To joint connector left	X1019
A4	Cable eyelet	Terminal 31	BR	To earth post left	X1108
A5	Black 3-pin socket casing	---	---	To seat heating system plug, right seat	X279B
A6	Black 5-pin socket casing	---	---	To seat heating system switch, left	X651
A7	White 5-pin socket casing	---	---	To seat heating system switch, right	X658
A8	Black 3-pin socket casing	---	---	To seat heating system plug, left seat	X275B
A9	1-pin socket contact	Terminal 30	RT/VI	To ignition switch	X33, PIN 7
A10	1-pin socket contact	Terminal 15	GN/GE	To ignition switch	X33, PIN 10
A11	1-pin socket contact	Terminal 15	GN/VI	To ignition switch	X33, PIN 3

4. Installation and cabling diagram (LHD cars only)



050 0023 B

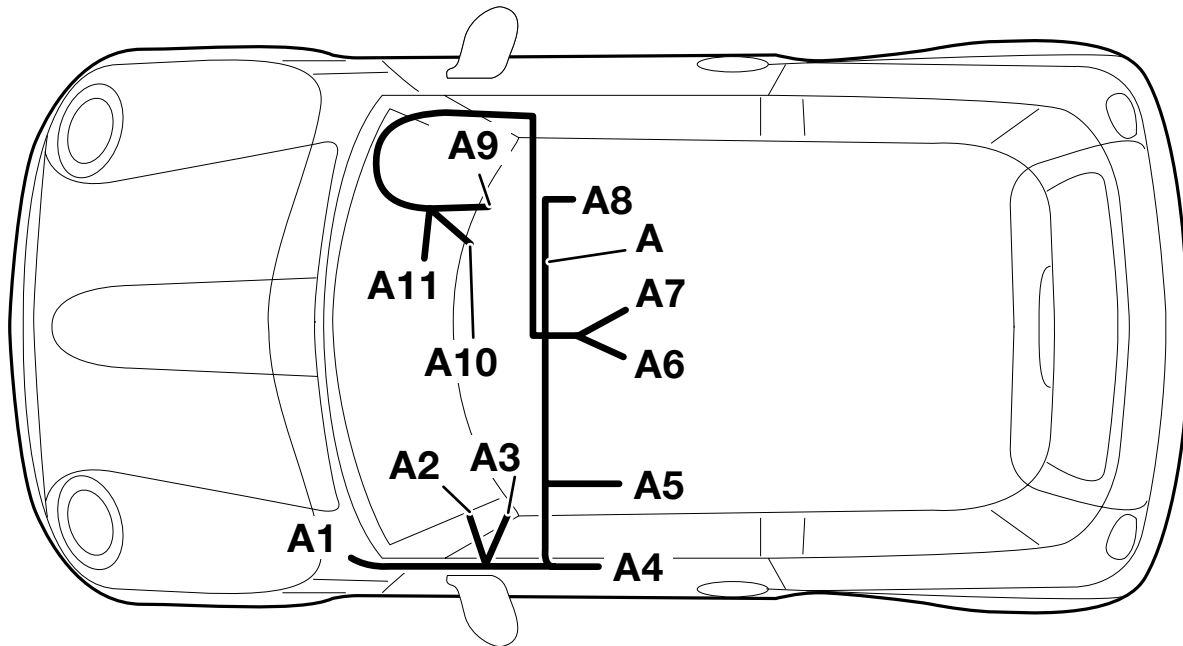
All the wiring harnesses are to be laid along the main wiring harness as shown in the figure and secured with cable ties.

Seat heating system wiring harness

- A1 To fuse holder
- A2/A3 To X1019
- A4 To X1108
- A5 To X279S
- A6/A7 To X651 and X658
- A8 To X275S
- A9-A11 To X33

Tie back any excess lengths.

5. Installation and cabling diagram (RHD cars only)



050 0024 B

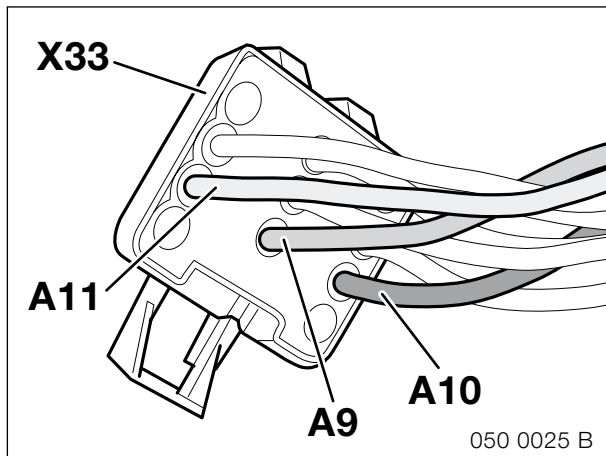
All the wiring harnesses are to be laid along the main wiring harness as shown in the figure and secured with cable ties.

Seat heating system wiring harness

- A1 To fuse holder
- A2/A3 To X1019
- A4 To X1108
- A5 To X279S
- A6/A7 To X651 and X658
- A8 To X275S
- A9-A11 To X33

Tie back any excess lengths.

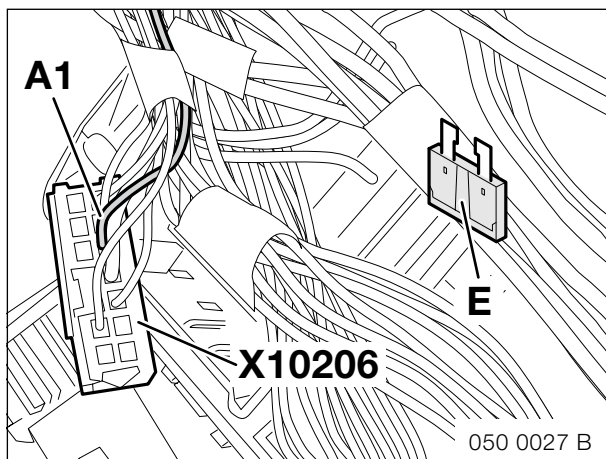
6. To install the seat heating system wiring harness



- Disconnect X33
- A9 in PIN 7
- A10 in PIN 10
- A11 in PIN 3
- Connect X33



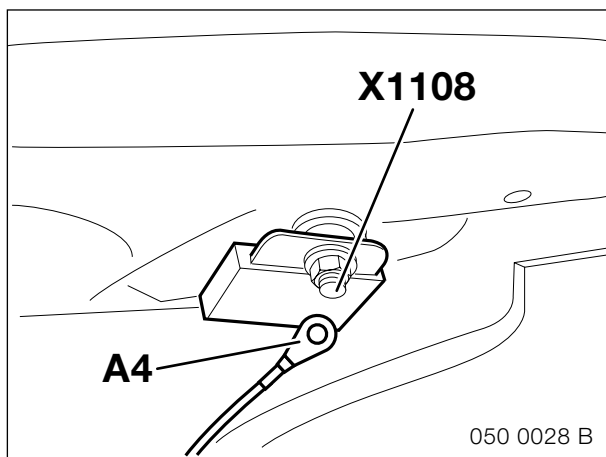
Undo the fuse box (1) and disconnect X10206.




Connect A1 to PIN 8 of the green plug X10206.

Connect plug X10206.

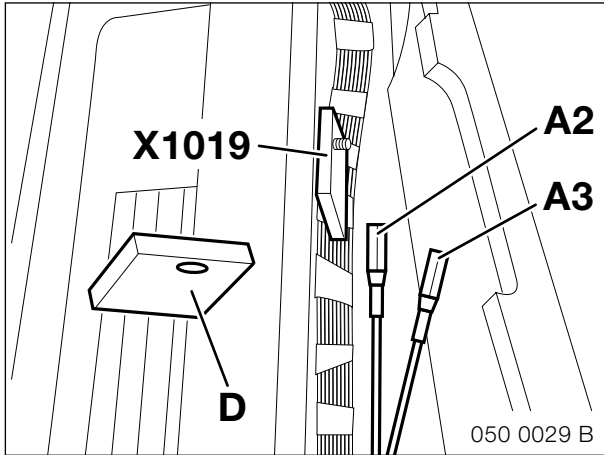
Check whether there is a fuse in fuse slot 23, if not insert a 20 A fuse (E).




 Left side skirt. ◀

Secure A4 to earth post X1108.

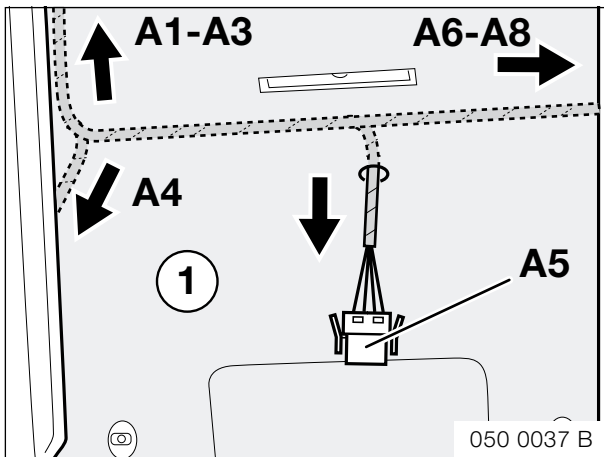
6. To install the seat heating system wiring harness



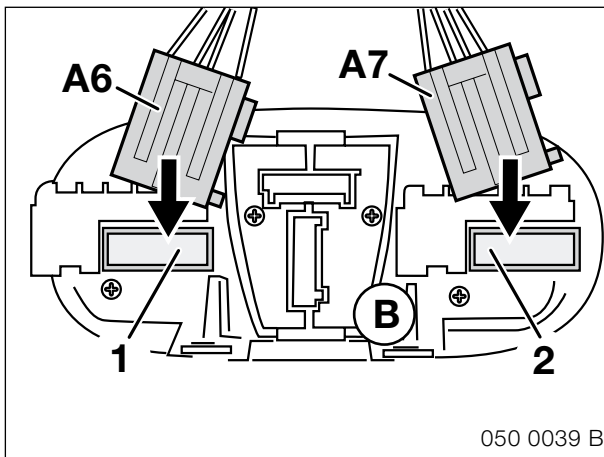
 Left side skirt. ◀

Connect A2 and A3 to joint connector X1019.

If the joint connector is full, use the supplied 5-way joint connector D.



Route A5 under the carpet (1) to the left-hand seat.

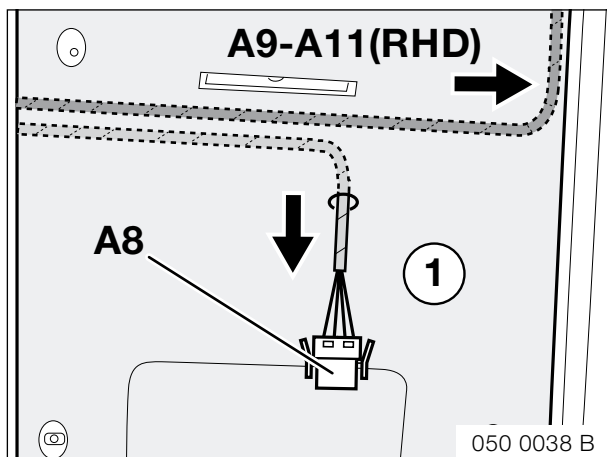


Route A6 and A7 to the mirror adjustment switch.

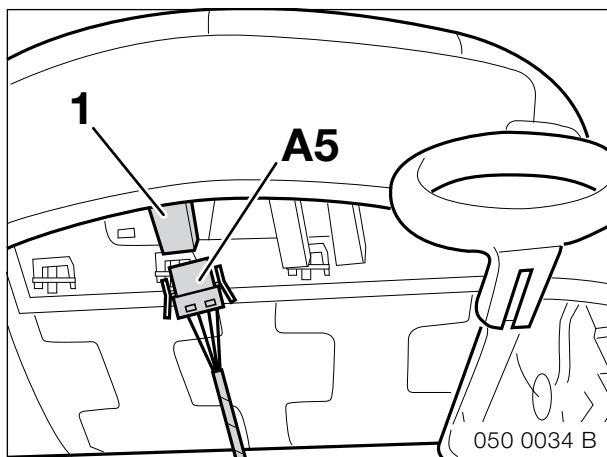
A6 into slot 1 of switch B

A7 into slot 2 of switch B

6. To install the seat heating system wiring harness

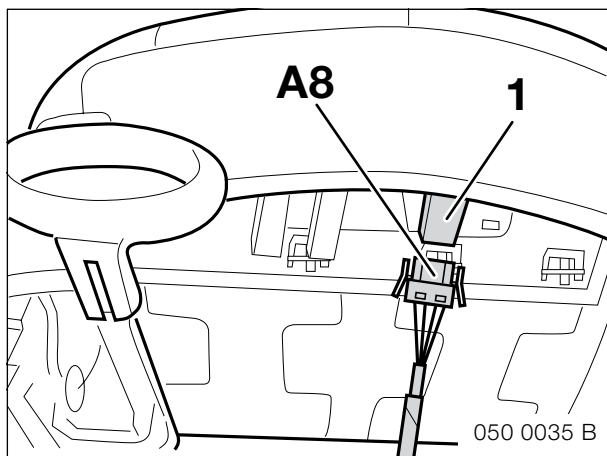


Route **A8** under the carpet (1) to the right-hand seat.
On RHD cars lay branches **A9-A11** under the carpet (1) to the switch **X33**.



▶ Left seat. ◀

Connect **A5** to the seat plug (1).



▶ Right seat. ◀

Connect **A8** to the seat plug (1).

7. Coding

The system does not require coding.

8. Circuit diagram (will appear in the next edition, see page DE/14 for legend)

8. Circuit diagram

Legend

X33	Black 10-pin ignition switch plug
X275B	Black 3-pin plug on driver's side
X279B	Black 3-pin plug on passenger side
X651	Black 5-pin seat heating system switch plug on driver's side
X658	Black 5-pin seat heating system switch plug on passenger side
X1019	Terminal 58g connector
X1108	TI. 31
X10207	Violet 12-pin fuse holder plug

Cable colours

RT	red
SW	black
GN	green
BR	brown
GE	yellow
WS	white
VI	violet
GR	grey
BL	blue
OR	orange