



Parts and Accessories - Installation Instructions

MINI accessories installation kit - aerodynamics package

MINI Cooper (R50)

MINI Cooper S (R53)

MINI Cabriolet (R52)

Only valid for vehicles without optional equipment (SA) towing hitch

Only valid for vehicles without optional accessories (SZ) mud flaps

Technical knowledge is assumed.

The installation time of approx. 2.0 hour can vary depending on the condition and equipment of the vehicle.

Installation kit No.:	51 19 0 139 654	51 19 0 021 927	51 19 0 139 905	51 19 0 139 906
	51 19 0 146 093	51 19 0 146 099	51 19 0 146 105	51 19 0 146 111
	51 19 0 146 094	51 19 0 146 100	51 19 0 146 106	51 19 0 146 112
	51 19 0 146 095	51 19 0 146 101	51 19 0 146 107	51 19 0 146 113
	51 19 0 146 096	51 19 0 146 102	51 19 0 146 108	51 19 0 146 114
	51 19 0 146 097	51 19 0 146 103	51 19 0 146 109	51 19 0 146 115
	51 19 0 146 098	51 19 0 146 104	51 19 0 146 110	51 19 0 146 116
	51 19 0 146 122	51 19 0 146 128	51 19 0 146 157	51 19 0 146 163
	51 11 0 140 629	51 11 0 140 629	51 11 0 139 652	51 11 0 139 652
	51 11 0 021 929	51 11 0 021 929	51 11 0 145 744	51 11 0 145 744
	51 71 0 140 630	51 71 0 140 630	51 71 0 140 631	51 71 0 140 631
	51 71 0 021 932	51 71 0 021 932	51 71 0 021 933	51 71 0 021 933
	51 12 0 139 659	51 12 0 140 632	51 12 0 139 893	51 12 0 139 892
	51 12 0 139 661	51 12 0 139 651	51 12 0 139 894	51 12 0 139 904
	51 12 0 021 931	51 12 0 145 768	51 12 0 145 769	51 12 0 145 770
	51 12 0 145 771	51 13 0 140 259	51 11 0 140 255	51 11 0 139 106
	51 71 0 140 257	51 71 0 140 258	51 11 0 141 383	51 11 0 141 384
	51 12 0 147 451	51 12 0 147 453	51 12 0 153 271	51 12 0 153 272
	51 12 0 153 273	51 19 0 153 268	51 19 0 153 270	51 19 0 153 267
	51 19 0 153 266	51 19 0 392 409	51 19 0 392 410	51 19 0 392 411
	51 19 0 392 412	51 71 0 392 891	51 71 0 392 892	51 12 0 392 895
	51 12 0 392 899	51 12 0 392 901	51 12 0 392 902	51 19 0 392 427
	51 11 9 392 428	51 19 0 392 429	51 19 0 392 430	51 71 0 392 893
	51 71 0 392 894	51 12 0 392 903	51 12 0 392 904	51 12 0 392 905
	51 12 0 392 906			

Contents

Section	Page
1. Important information on mounting the aerodynamics package MINI (R50/R53/R52)	3
2. Important information on painting the aerodynamics components MINI (R50/R53/R52) (applies only to repairs or primer-coated variant)	4
3. Preparatory work	7
4. Parts overview - accessory front apron	8
5. Parts overview - accessory rear apron	9
6. Parts overview - accessory sill	10
7. Conversions on vehicle	11
8. Conversions - accessory front apron	13
9. Mounting accessory front apron	15
10. Installing accessory radiator grille	16
11. Mounting accessory sill	17
12. Mounting accessory rear apron	19

1. Important information on mounting the aerodynamics package MINI (R50/R53/R52)

Intended for use in the BMW/MINI dealership network only.

The aerodynamics package should be installed only by a specialist workshop that has available the necessary special tools and manuals (maintenance, repair, etc.).

All jobs are illustrated based on left-hand drive vehicles. The same procedure must be carried out analogously on right-hand drive vehicles.

All jobs are illustrated on the left-hand side of the vehicle. The same procedure must be carried out analogously on the right-hand side of the vehicle.

Item numbers refer only to the overviews and texts next to the respective graphic.



No inspection authority (in Germany: TÜV) registration is necessary for this installation kit.

Subject to technical modifications.

Required tools and aids

Set of screwdrivers for recessed
cross head screws

Set of sockets for socket wrench

Snippers

Set of screwdrivers for slotted head screws

Set of files

1/4 inch socket for socket wrench

2. Important information on painting the aerodynamics components MINI (R50/R53/R52) (applies only to repairs or primer-coated variant)

The aerodynamics package is supplied primer-coated and must be treated accordingly. Comply with the BMW/MINI painting instructions when painting the components.

Procedure: The aerodynamics package is made from PUR-R-RIM.
BMW/MINI acrylic paint + 30% Softface additive.
Maximum stove enamelling temperature 80 °C.



Before painting, the fit accuracy of all add-on parts must be checked on the vehicle. ◀



Parts may be deformed if they are not fixed in position correctly during the painting/ baking procedure. ◀

Safety information

Take particular care to ensure that the type identification plate or the identification marking impressed in the front apron, rear apron and sills are not destroyed or made illegible by the mechanical working and painting procedure.

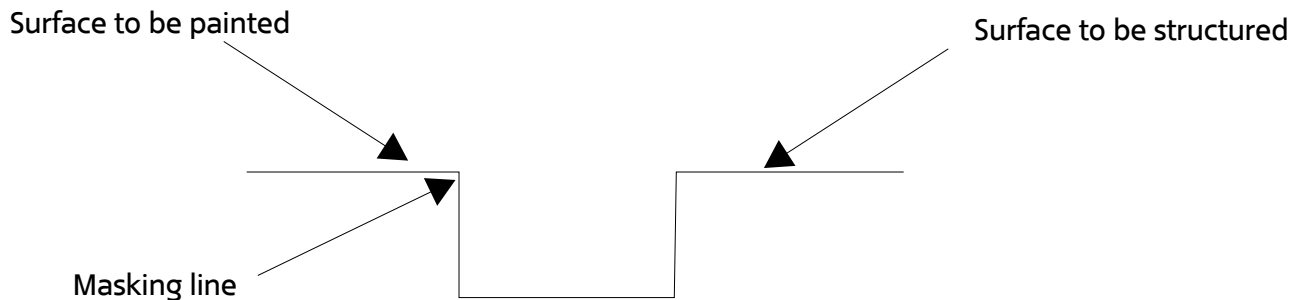
2. Important information on painting the aerodynamics components MINI (R50/R53/R52)
(applies only to repairs or primer-coated variant)

A structure paint is necessary in connection with the structured surface.

Structure paint: 0.5 ltr. 51 91 0 027 551 (MINI structure paint, matt black)
1.0 ltr. 51 91 0 027 552 (MINI structure paint, matt black)

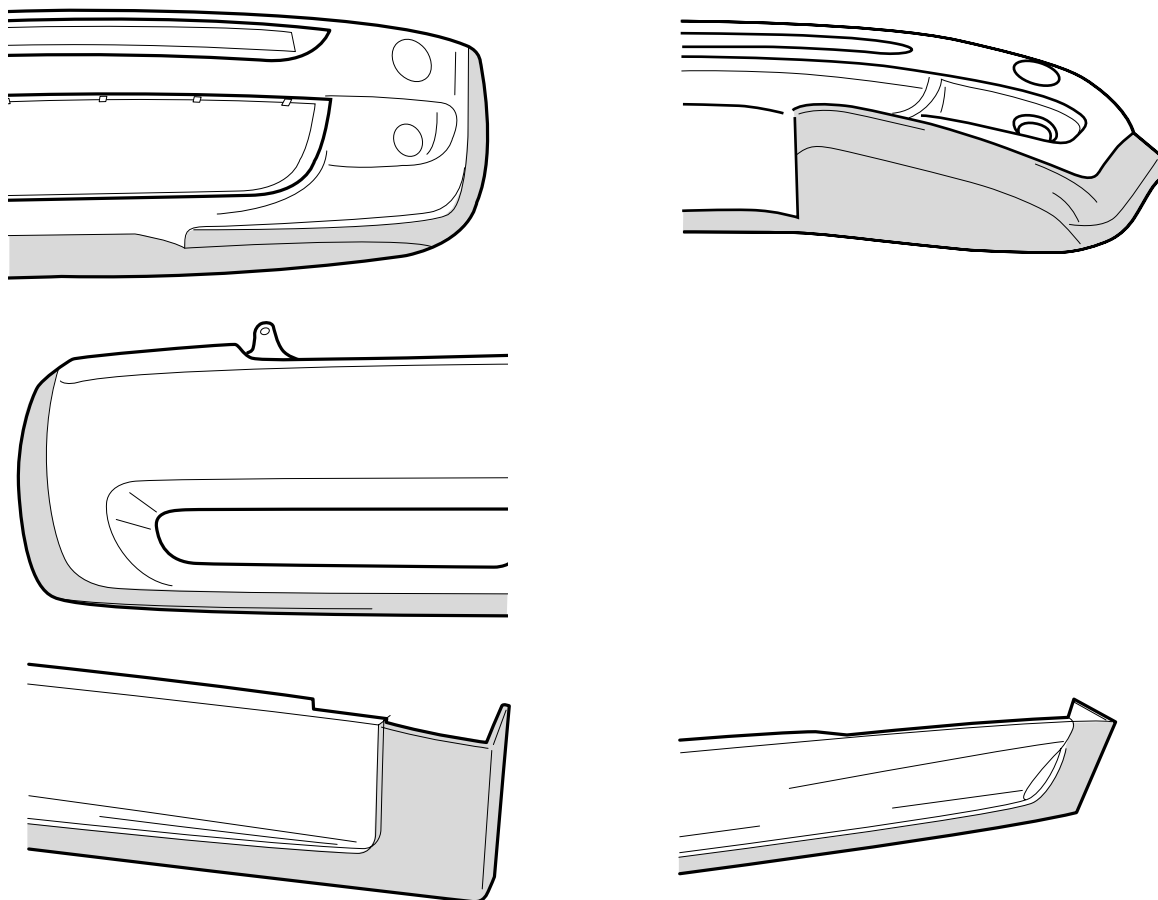
The structured effect can be achieved by corresponding colour adaptation of the structure paint.
(Readymix being prepared)

The components all feature a clearly identifiable masking line.
The structured effect must be made after applying the topcoat.



050 0201 B

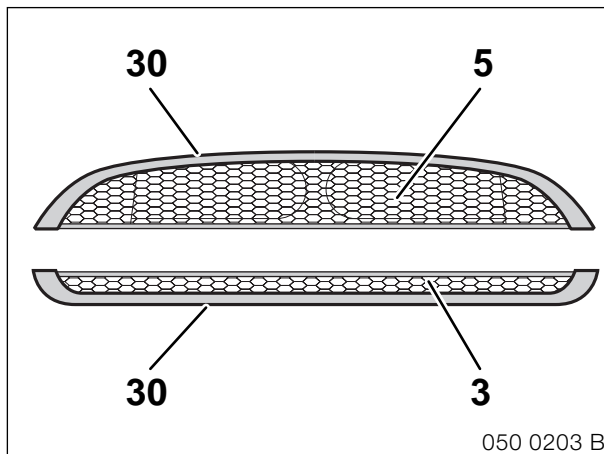
The illustration shows a section through the component and masking joint.




050 0202 B

2. Important information on painting the aerodynamics components MINI (R50/R53/R52)
(applies only to repairs or primer-coated variant)

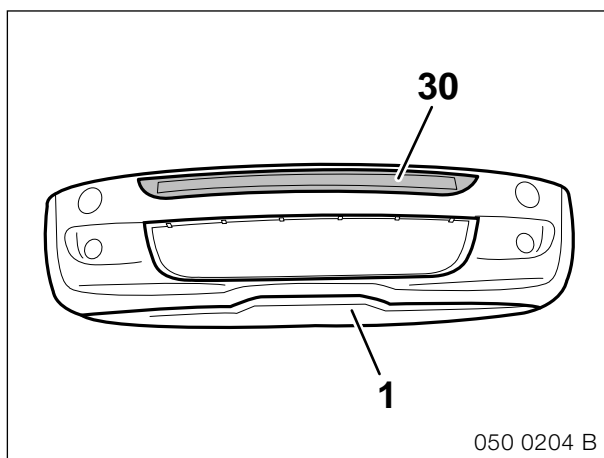
Painting instructions and colour suggestion



 The illustration shows radiator grille (5) and top bumper grille (3). ◀

To achieve an even sportier appearance of the aerodynamics package it is recommended to paint the areas marked in grey (30) in the car colour.

 Refer to the BMW/MINI painting instructions for ABS plastics. ◀



The grey area (30) on the front apron (1) must be painted black to avoid the topcoat coming through.

3. Preparatory work

	TIS FRU No.
Remove standard front apron (no longer required)	51 11 156
Remove direction indicator lights from standard front apron	
Remove temperature sensor from standard front apron	51 11 156
Remove standard rear apron, unclip reversing lights from standard rear apron (rear apron no longer required)	
Remove sheet metal bracket from standard rear apron	
Remove standard sill (no longer required)	
Remove standard radiator grille from bonnet (no longer required)	

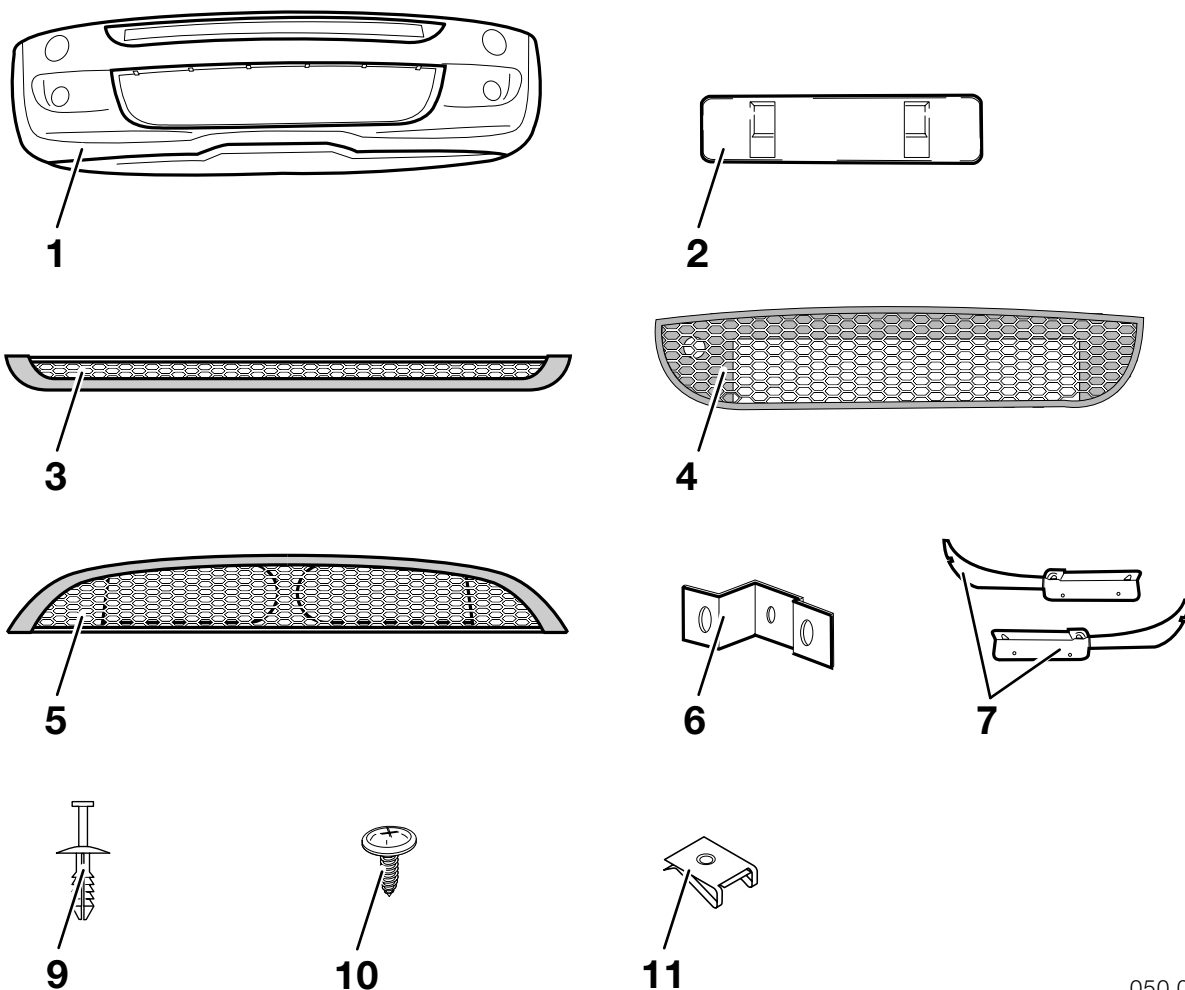
Only for vehicles with US standard (NAS)

	TIS FRU No.
Remove position lights on standard front apron	
Remove position lights on standard rear apron	

Only on MINI Cabriolet (R 52)

	TIS FRU No.
Release left and right tension strut	

4. Parts overview - accessory front apron



050 0122 B

Key

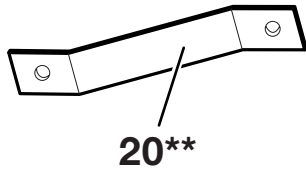
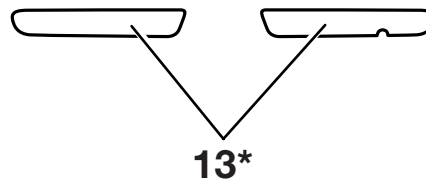
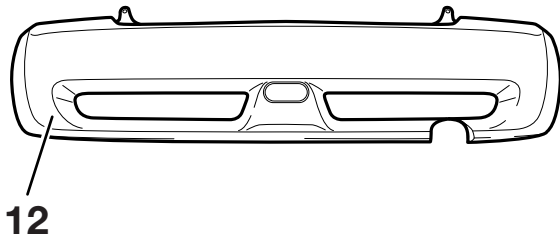
- 1 Accessory front apron
- 2 Licence plate baseplate*
- 3 Top bumper grille*
- 4 Bottom bumper grille*
- 5 Accessory radiator grille*
- 6 Adapter bracket for direction indicator light (2x)*/**
- 7 Mounting bracket (left/right)
- 8 Part not required
- 9 Expanding rivet (4x)
- 10 Plastic self-tapping screw (2x)
- 11 Speed nut (2x)

*Items 2, 3, 4, 5 and 6 are not included in the parts kit for the accessory front apron and must be ordered separately according to the electronic parts catalogue (EPC).

**Make sure that an adapter bracket, BMW/MINI Part number 63 13 6 920 889 is additionally ordered according to the electronic parts catalogue (EPC) for installing the front apron on MINI cars with the old mounting arrangement for the direction indicator lights.

The adapter bracket will no longer be required as from production date 10/01.

5. Parts overview - accessory rear apron



050 02399 B

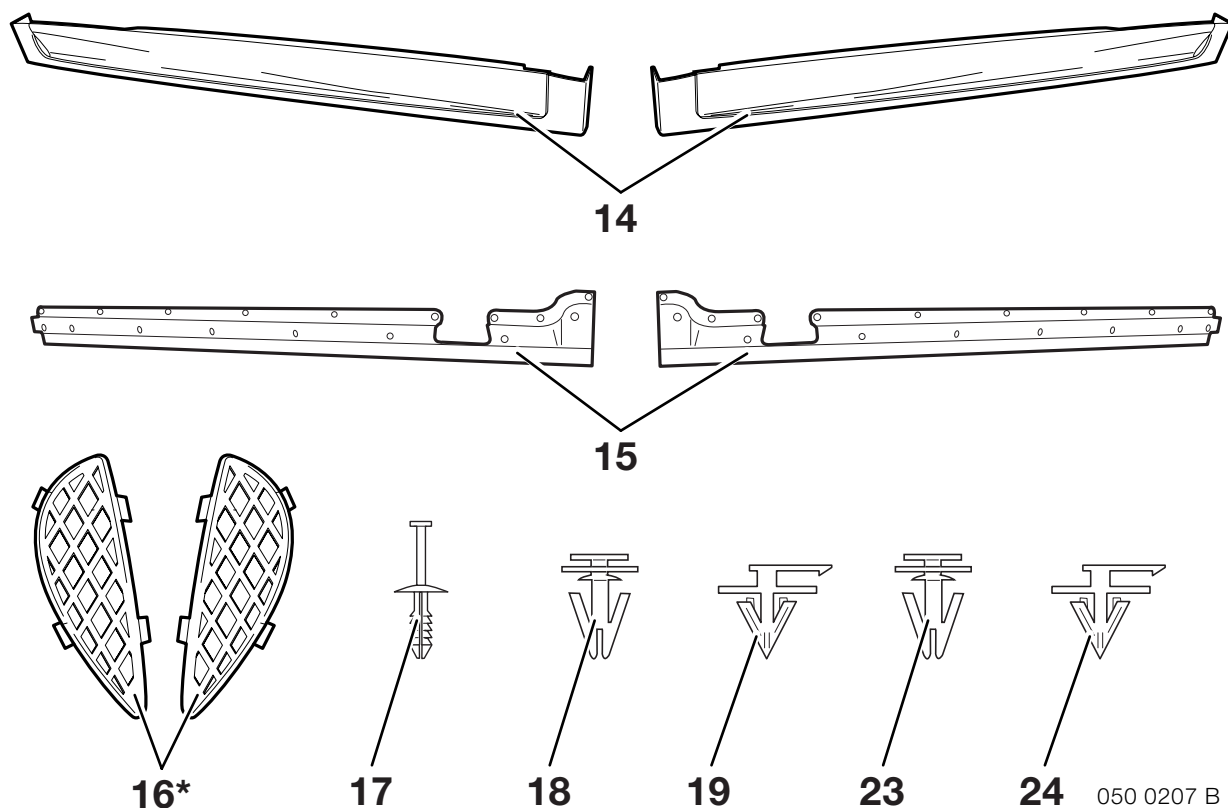
Key

- 12 Accessory rear apron
- 13 Film sections* (left/right)
- 20 Aluminium mounting bracket **
- 21 Speed nut (2x) **
- 22 Hexagon head screw M6 (2x) **

*These film sections are supplied only together with the primer-coated version of the accessory rear apron.

** Items 20, 21 and 22 are not included in the parts kit for the accessory rear apron and must be ordered separately according to the electronic parts catalogue (EPC).

6. Parts overview - accessory sill



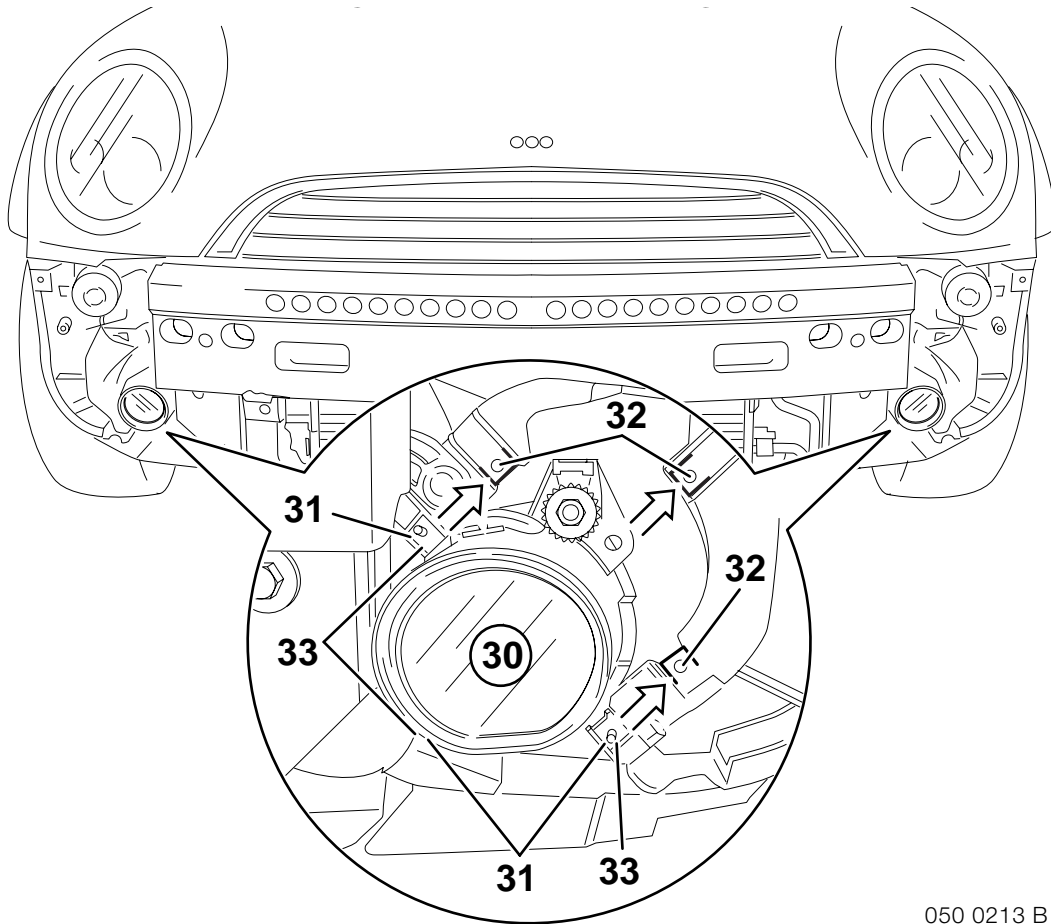
Key

- 14 Accessory sill (left/right)
- 15 Sill mounting (left/right)
- 16 Sill grille (left/right)*
- 17 Expanding rivet (18x)
- 18 Clip (6x)
- 19 Clip (4x)
- 23 Clip (6x), red
- 24 Clip (4x), yellow

*Item 16 is not included in the parts kit for the accessory sill and must be ordered separately according to the electronic parts catalogue (EPC).

** Coloured clips only for MINI Cabriolet (R52) !

7. Conversions on vehicle

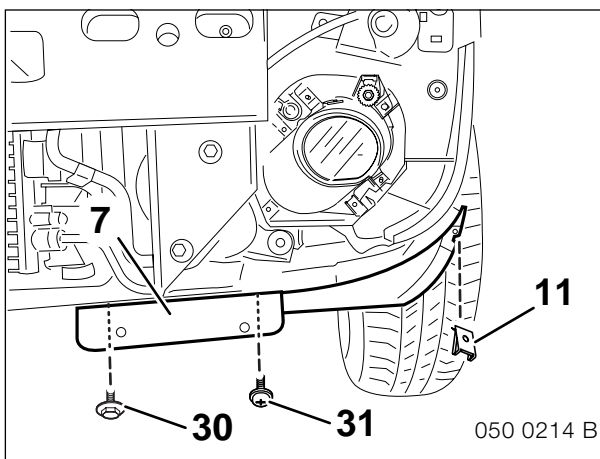


050 0213 B

Not necessary for MINI Cooper S (R53)

▶ Magnification shows installed fog light. ◀

Release fog light (30) from the three standard mounting points (31).
Drill the three mounting points (32) to 7 mm Ø at the marked points and fit the metal tabs (33).
Install fog light (30) at the three new mounting points (32).



▶ The figure shows the front left of the vehicle. ◀

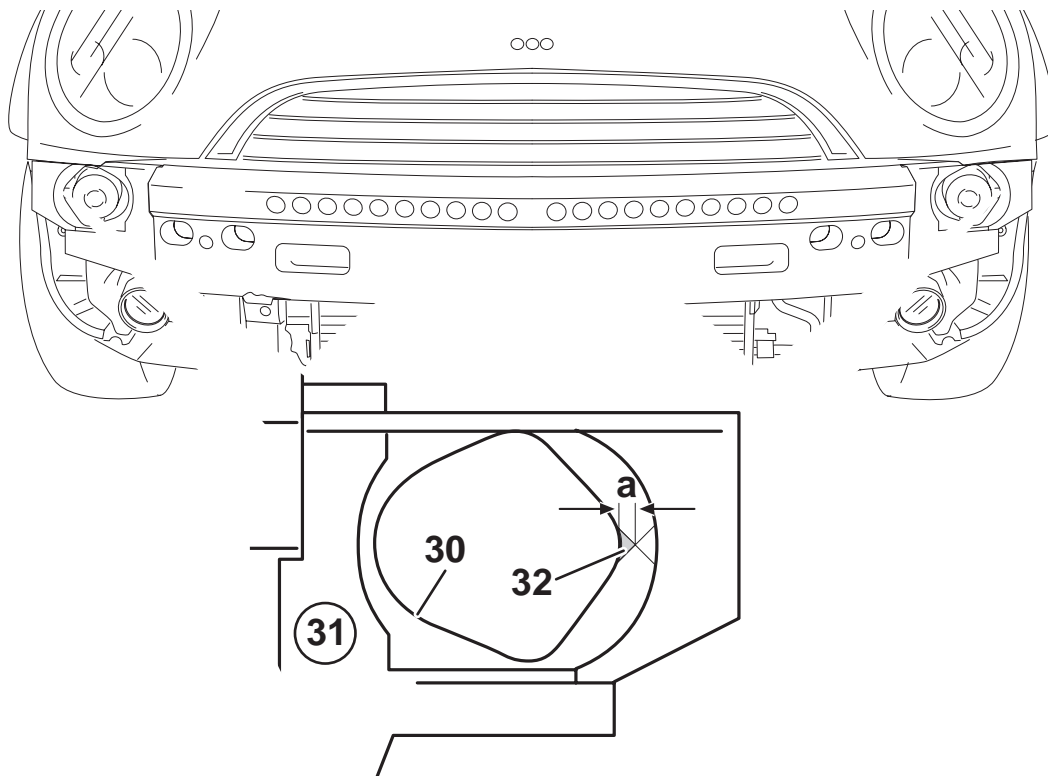
Use existing hexagon socket head screw (30) and recessed cross head screw (31) to install mounting bracket (7) on the vehicle.

▶ The slots in the mounting bracket (7) can be used to compensate for tolerances in the vehicle and accessory front apron. ◀

Fit metal tab (11) on mounting bracket (7) as illustrated.

7. Conversions on vehicle

Only for vehicles with US standard (NAS)



050 0272 B

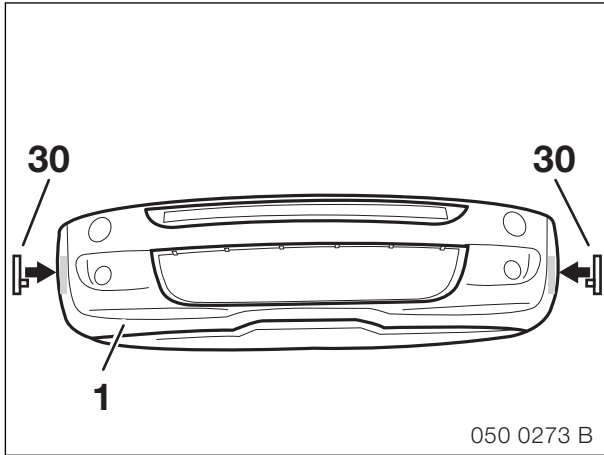


The magnification shows the recess (30) for the direction indicator light in the front bumper carrier (31). ◀

Dimension **a** should be transferred to the front bumper carrier (31) and the area (32) marked in grey removed with a corresponding tool.

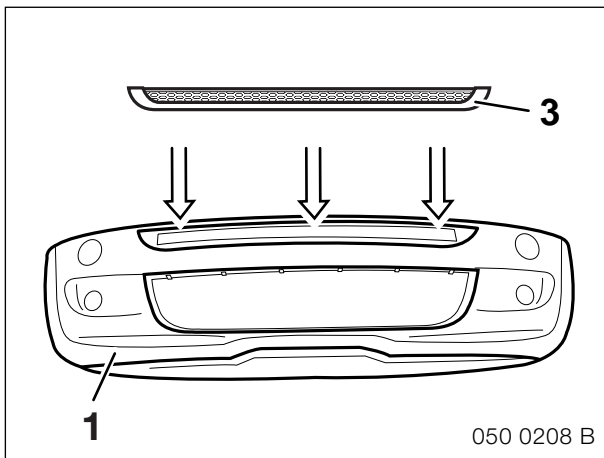
Dimension **a** = 5 mm

8. Conversions - accessory front apron



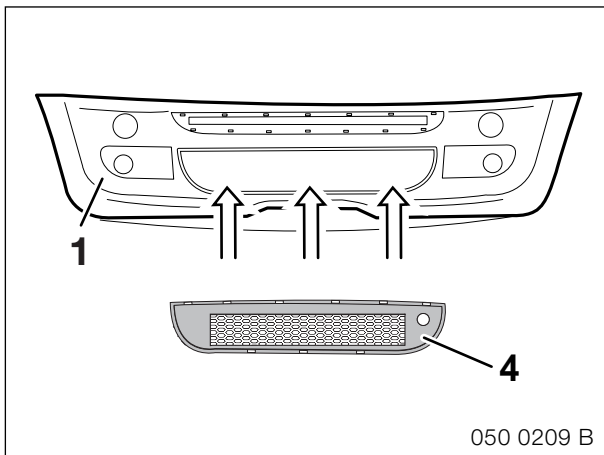
Only for vehicles with US standard (NAS)

Identical to the standard front apron, install position lights (30) in the accessory front apron (1).



Clip top bumper grille (3) into accessory front apron (1).

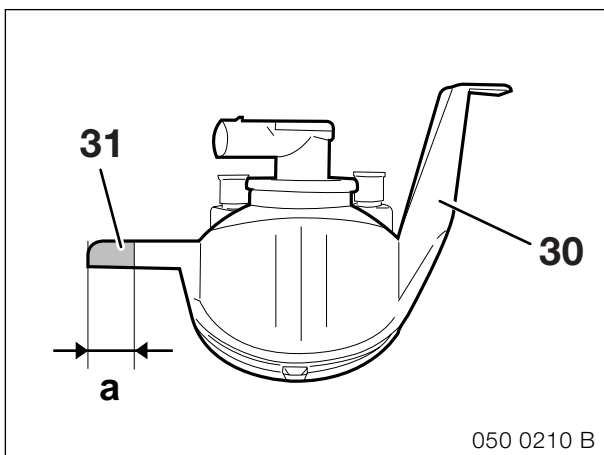
▶ Make sure the top bumper grille (3) is fitted exactly. ◀



▶ The figure shows the rear of the accessory front apron (1). ◀

Clip bottom bumper grille (4) into accessory front apron (1).

▶ Make sure the bottom bumper grille (4) is fitted exactly. ◀



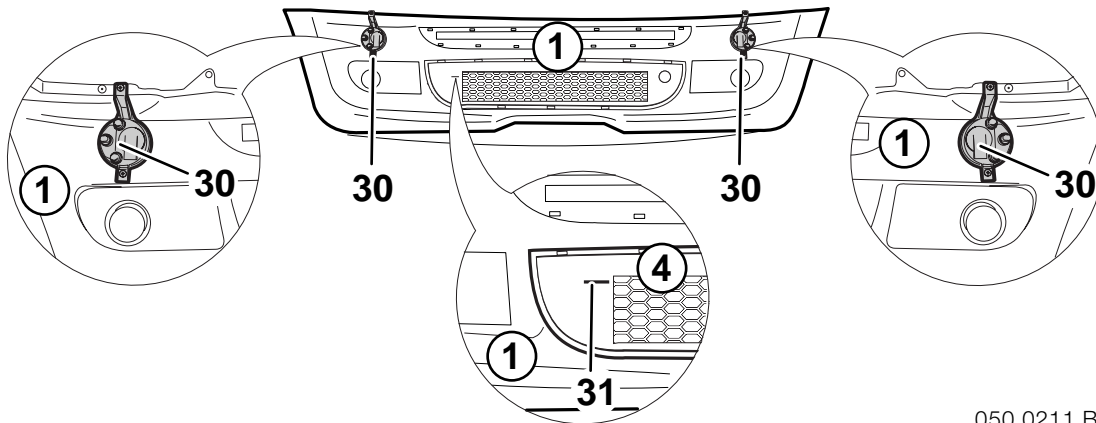
▶ The figure shows the removed left-hand direction indicator light (30). ◀

Cut off grey marked area (31) from direction indicator light (30) using corresponding tool (*).
(*Snippers, oscillatory saw, compressed air saw)

▶ Area (31) would otherwise collide with the front apron. ◀

Dimension a = 20 mm

8. Converting accessory front apron



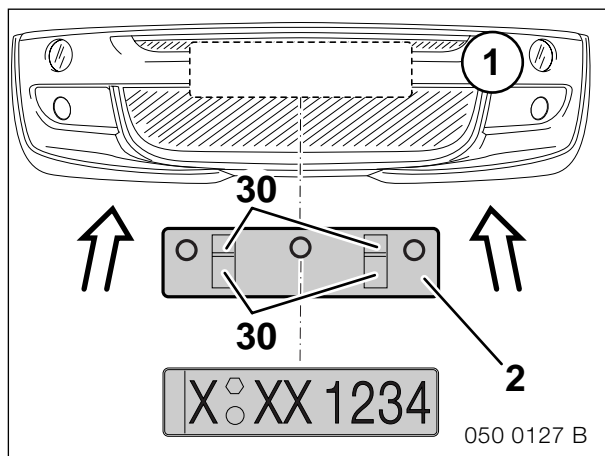
050 0211 B

Fit reworked direction indicator light (30) in accessory front apron (1).

- ▶ Make sure that an adapter bracket, BMW Part number 63 13 6 920 889 is additionally ordered for installing the front apron on MINI cars (R50/R53) with the old mounting arrangement for the direction indicator lights. ◀
- ▶ The adapter bracket BMW/MINI Part No. 63 13 6 920 889 will no longer be required as from production date 10/01. ◀

Fit temperature sensor (31) with retaining plate on the web of the lower grille bumper (4) as shown in the magnification and secure with cable tie.

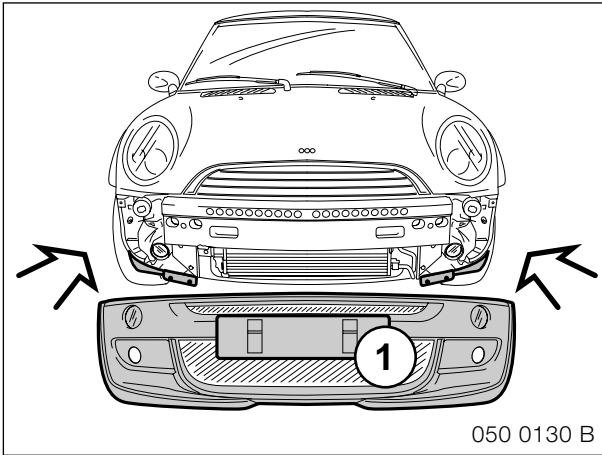
- ▶ The temperature sensor (31) must be positioned such that it is not in the driving wind. ◀



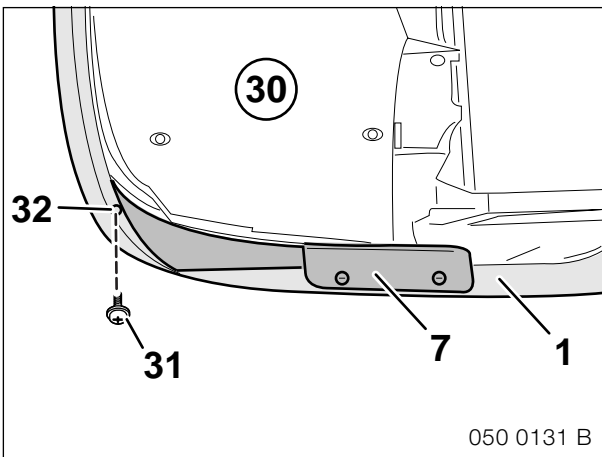
Use recessed crosshead screws (30) to fit licence plate baseplate (2) on accessory front apron (1) as illustrated.

050 0127 B

9. Mounting accessory front apron

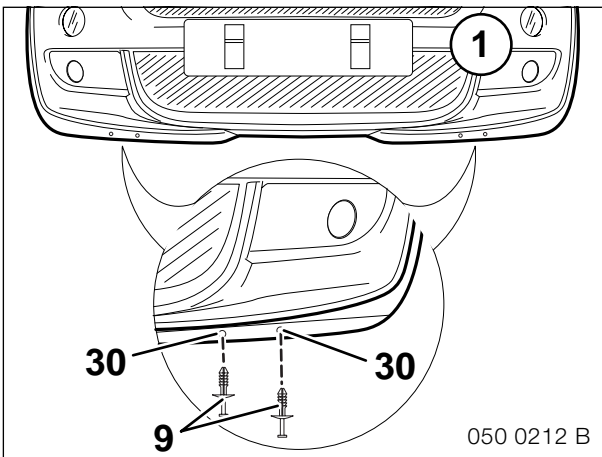


Mount preassembled accessory front apron (1) on vehicle in the same way as the standard front apron.



▶ The figure shows the front left wheel arch panel (30) with mounting bracket (7) (left) fitted in position. ◀

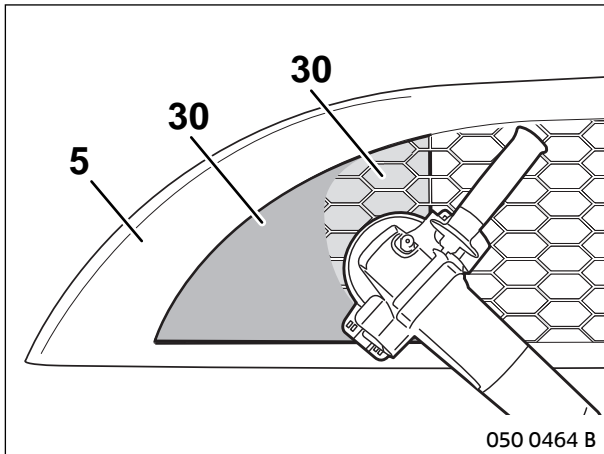
Secure mounting bracket (7) (left) with self-tapping screw (31) through hole (32) in front apron (1).



▶ The figure shows the accessory front apron (1) mounted on the vehicle. ◀

Push expanding rivets (9) from front through holes (30) in the accessory front apron (1) and secure to mounting bracket.

10. Installing accessory radiator grille

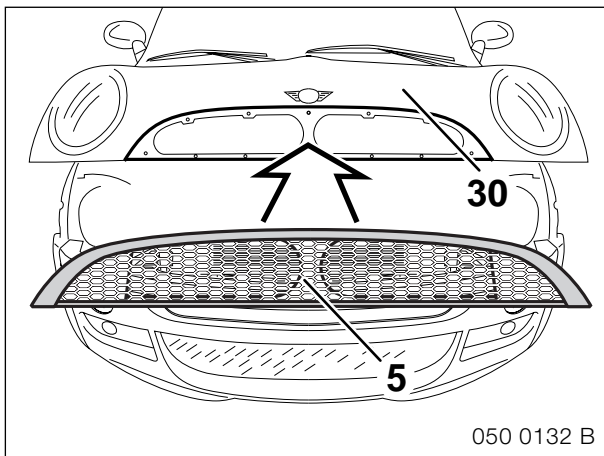


For diesel vehicles only

Grind the grey area (30) on the radiator grille (5) using corresponding tool (e.g. Flex with grinding wheel) until the rear of the honeycomb pattern can be seen.

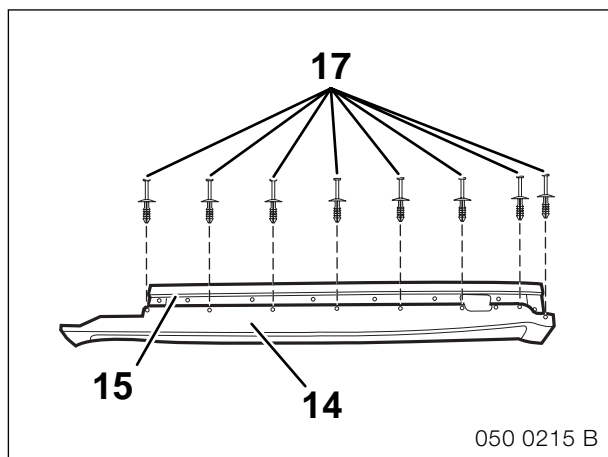


Carry out the same procedure on the right-hand side of the radiator grille accessory. ◀



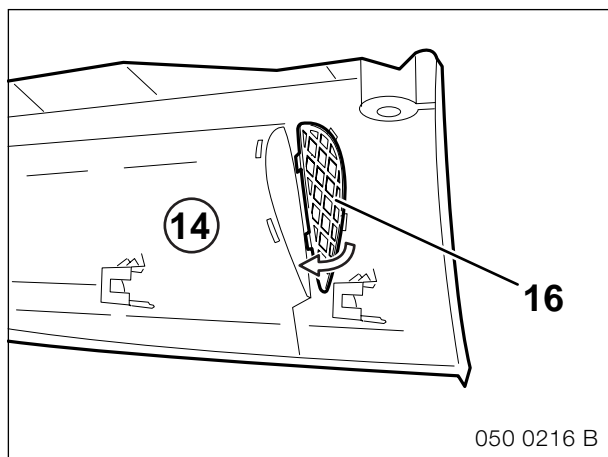
Mount accessory radiator grille (5) on bonnet (30) in the same way as the standard radiator grille.

11. Mounting accessory sill



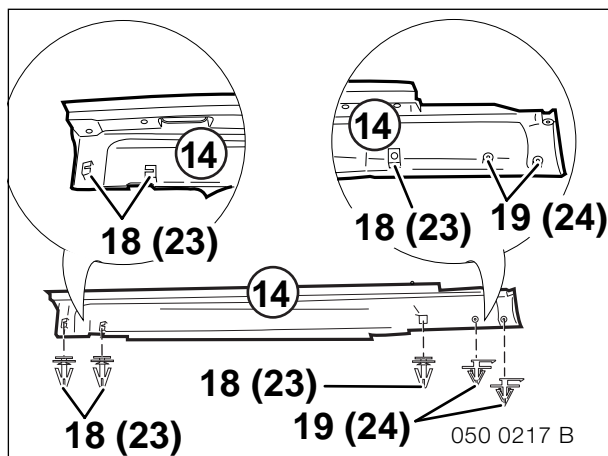
▶ The figure shows the underside of the accessory sill (14) and the sill mounting (15). ◀

Secure the accessory sill (14) and sill mounting (15) together with expanding rivets (17).



▶ The figure shows a section of the back of the rear accessory sill (14). ◀

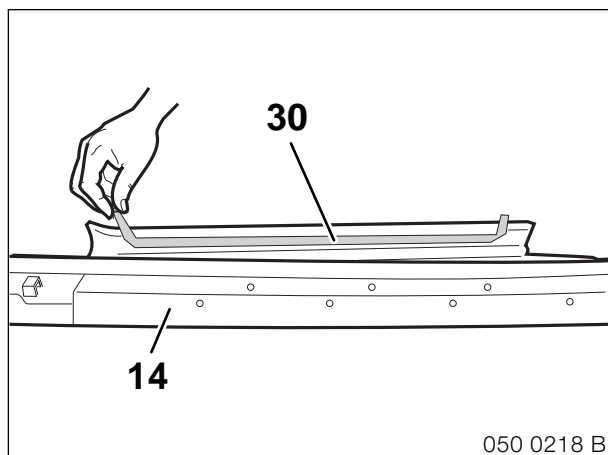
Clip on sill grille (16) in accessory sill (14).



▶ The figure shows the back of the accessory sill (14). ◀

Fit clips (18) and (19) in the positions shown in the figure.

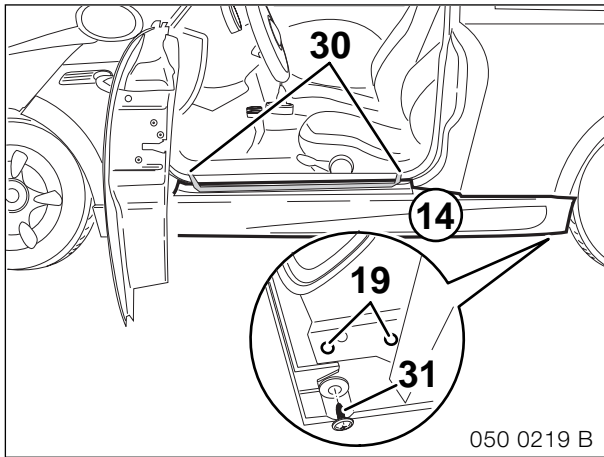
▶ Only on MINI Cabriolet (R52) - fit red (23) and yellow (24) clips in the positions shown in the illustration. ◀



▶ The figure shows the back of the preassembled accessory sill (14). ◀

As illustrated, carefully remove a 60 mm section of the protective film (30) of the adhesive tape located at the back of the accessory sill (14) and fold outward.

11. Mounting accessory sill



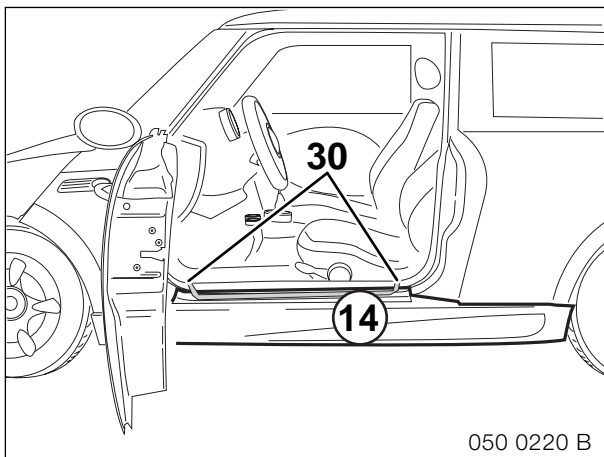
Carefully position the accessory sill (14) on the vehicle.

- ▶ Do not yet completely remove the protective film (30) from the adhesive tape. ◀

Mount accessory sill (14) on the vehicle with the clips provided in the same way as the standard sill.

- ▶ The magnification shows the back of the installed rear accessory sill (14). Secure the sill (14) with recessed crosshead screw (31) to the wheel arch panel. ◀

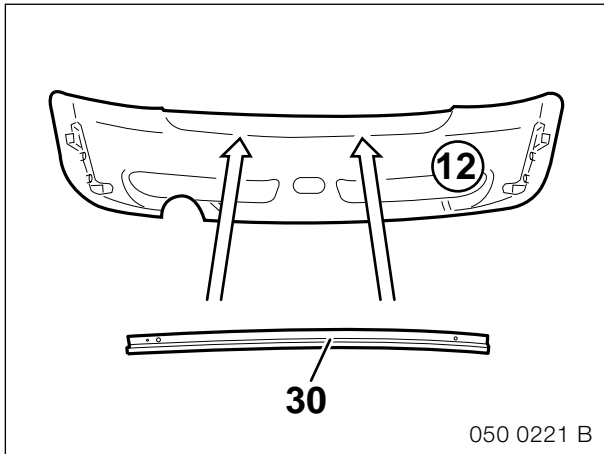
- ▶ Check that the clips (19) are firmly fitted. ◀



Raise the sill (14) from the body in the door area and pull the protective film (30) from the adhesive tape. Align the accessory sill (14) and adhere in position.

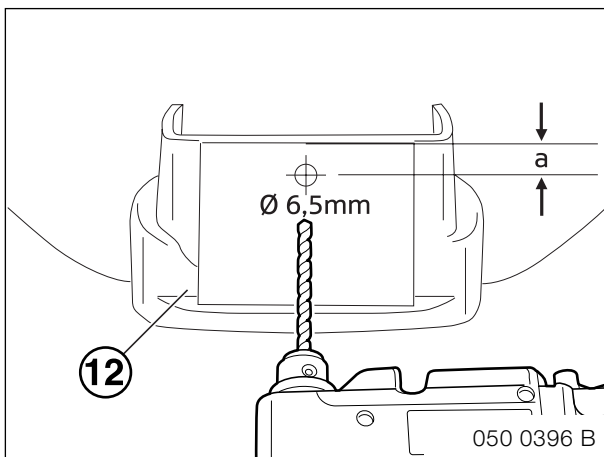
- ▶ Make sure that the adhesive tape is applied with even pressure over the complete surface. ◀

12. Mounting accessory rear apron



▶ The figure shows the rear of the accessory rear apron (12). ◀

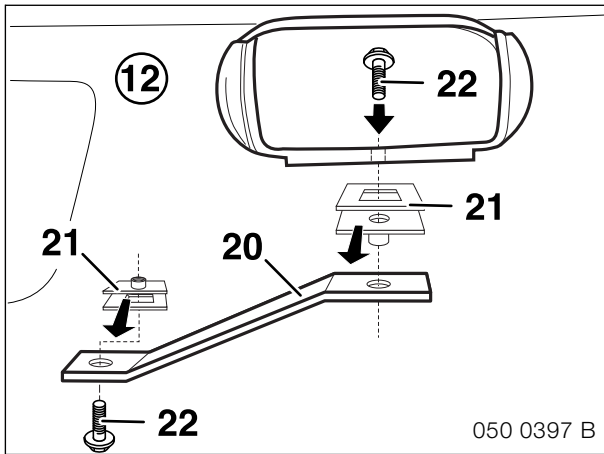
Remove bracket (30) from standard rear apron and install in the same position in the accessory rear apron (12).



▶ The figure shows the reversing light mounting from below. ◀

Drill 6.5 mm Ø hole centred as illustrated.

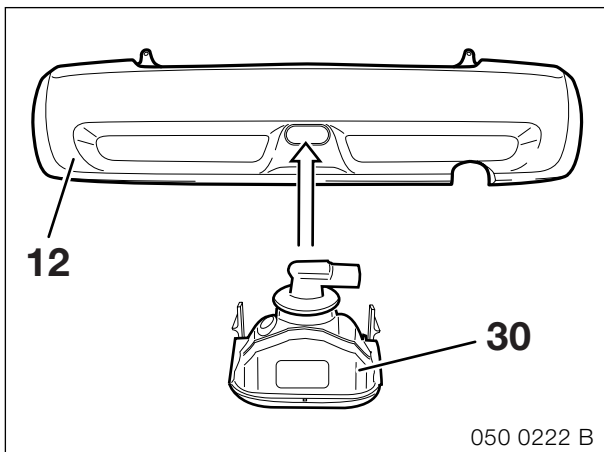
Dimension **a** = 15 mm



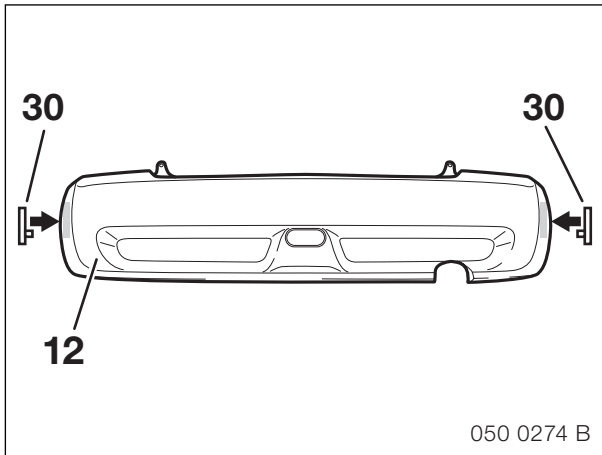
▶ The figure shows the rear of the back of the accessory rear apron (12). ◀

Secure retaining bracket (20) to accessory rear apron (12) and align.

Clip reversing light (30) into accessory rear apron (12).

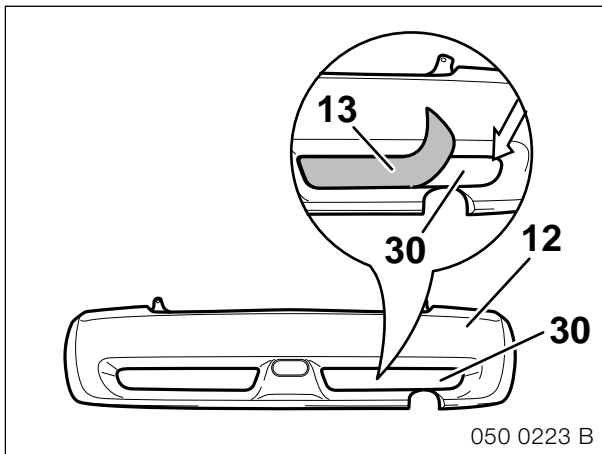


12. Mounting accessory rear apron



Only for vehicles with US standard (NAS)

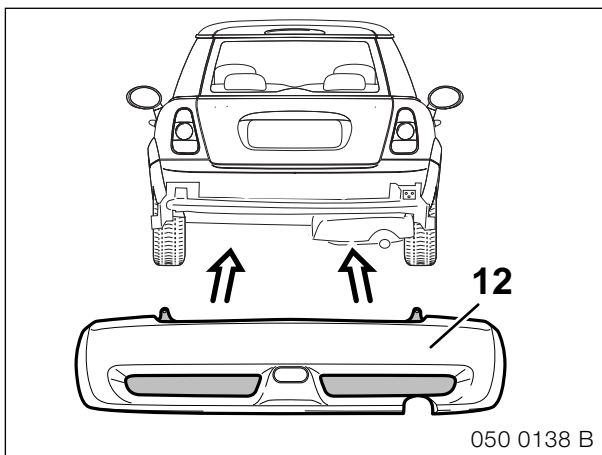
Identical to the standard rear apron, install position lights (30) in the accessory rear apron (12).



Only necessary for repairs or the primer-coated version of the accessory rear apron.

Clean adhesion surface (30).
Adhere film (13) to accessory rear apron (12) as illustrated

- ▶ Spray film (13) and adhesion surface (30) on rear apron (12) with soapy water, adhere film (13) and remove excess soapy water using a rubber blade. ◀



- ▶ Reconnect reversing lights. ◀

Mount accessory rear apron (12) at standard mounting points on vehicle and clip on cover for towing eye from standard rear apron.