

# ORIGINAL MINI ACCESSORIES. INSTALLATION INSTRUCTIONS.



## LED daytime running light retrofit

MINI CLUBMAN (R55)  
MINI (R56)  
MINI CABRIO (R57)  
MINI COUPÉ (R58)  
MINI ROADSTER (R59)  
MINI COUNTRYMAN (R60)  
MINI PACEMAN (R61)

The LED daytime running light retrofit is only available for cars with existing front fog lights (SA 520).

### Retrofit kit number

63 12 2 338 554 LED daytime running light retrofit kit

### Installation time

The installation time is **approx. 1.5 hours**. This may vary depending on the condition of the car and the equipment in it.

### Important information

These installation instructions are primarily designed for use within the BMW dealership organisation and by authorised BMW service companies.-

In any event the target group for these installation instructions is specialist personnel trained on MINI cars with the appropriate specialist knowledge.

All work must be completed using the latest MINI repair manuals, wiring diagrams, servicing manuals and work instructions, in a rational order, using the prescribed tools (special tools) and observing current health and safety regulations.

**If you experience installation or function problems, restrict troubleshooting to approx. 0.5 hours for mechanical work and 1.0 hour for electrical work.**


To avoid unnecessary extra work and/or costs, send an inquiry straight away to the technical parts support team via the Aftersales Assistance Portal (ASAP).


Quote the following information:

- Vehicle identification number,
- Retrofit kit part number,
- A detailed description of the problem,
- Any work already carried out.

Do not archive the hard copy of these installation instructions since daily updates are provided via ASAP!

### Pictograms

 Denotes instructions that draw your attention to dangers.

 Denotes instructions that draw your attention to special features.

◀ Denotes the end of the instruction or other text.

**Installation information**

Ensure that the cables and/or lines are not kinked or damaged as you install them in the vehicle. Costs arising from this will not be reimbursed by BMW AG.

Additional cables/lines that you install must be secured with cable ties. If the specified PIN chambers are occupied, double crimps or twin-lead terminals must be used.

All pictures show LHD cars; proceed accordingly on RHD cars.

**Special tools required**

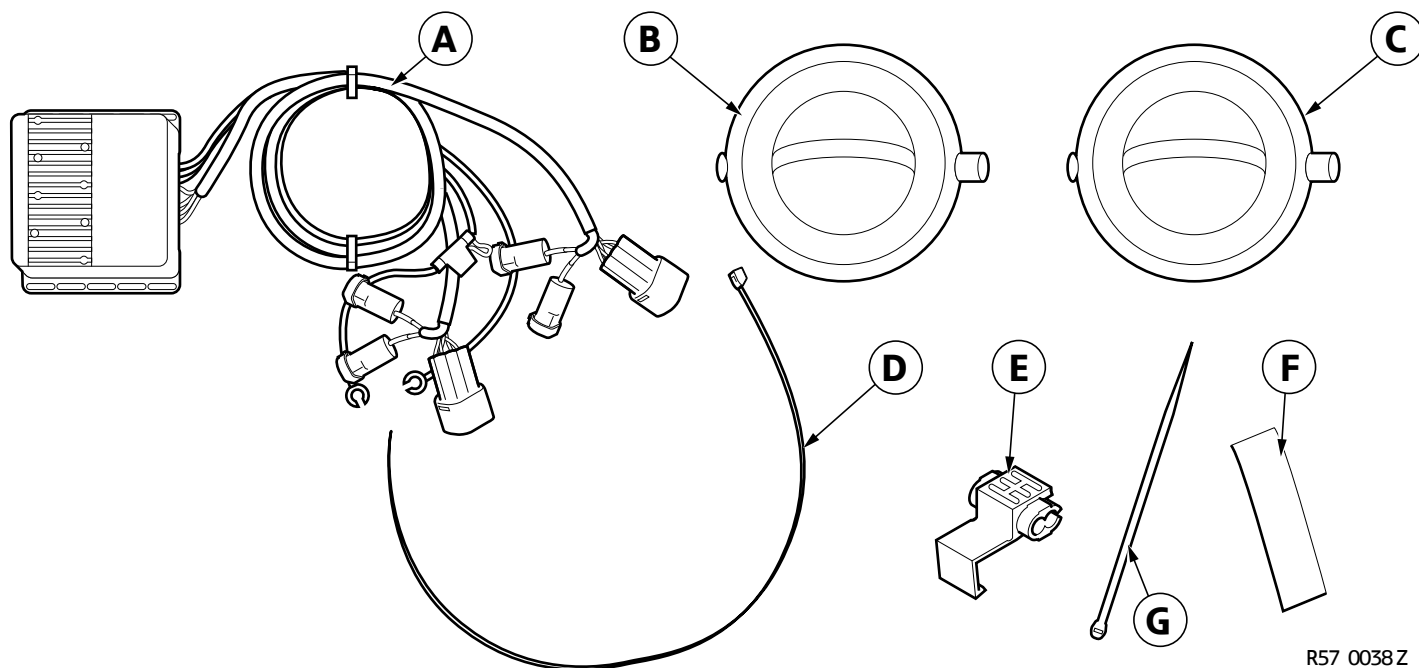
00 9 325, trim key

61 6 130, dismantling tool

## 1. Table of contents

Section	Page
1. Table of contents .....	3
2. Parts list for retrofit kit .....	4
3. Retrofit cable set connection diagram .....	5
4. Preparatory work .....	6
5. Installation and cabling diagram .....	7
6. Installing the retrofit cable set and LED daytime running lights .....	8
7. Concluding work and coding .....	10
8. Wiring diagram .....	11
9. Customer information .....	12

## 2. Parts list for retrofit kit

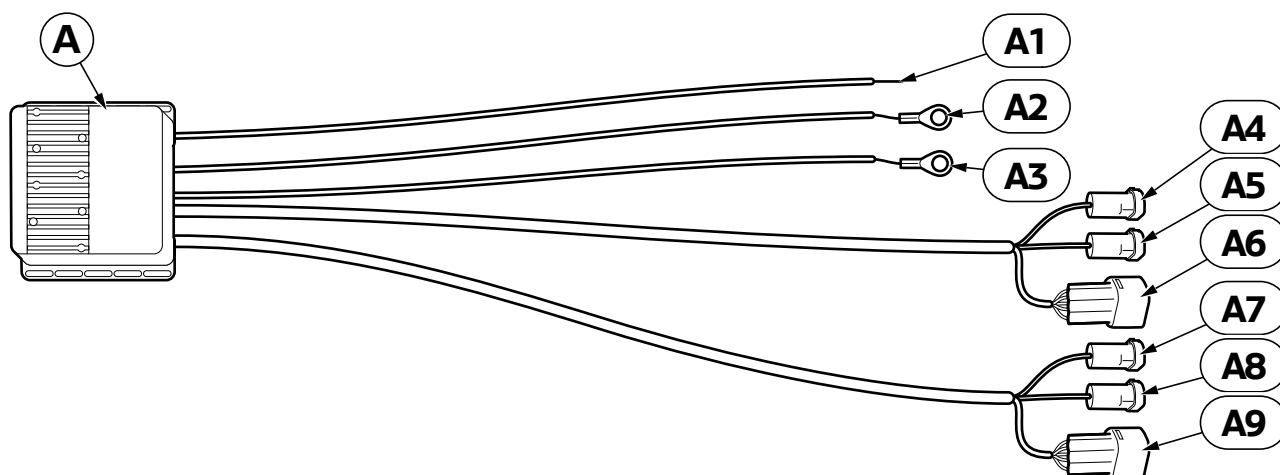


R57 0038Z

### Legend

- A** Control unit with cable set
- B** LED daytime running light, left
- C** LED daytime running light, right
- D** Cable tie 700 mm x 5.0 mm (2 x)
- E** Crimp connector
- F** Adhesive pad (2 x)
- G** Cable tie (10 x)

### 3. Retrofit cable set connection diagram



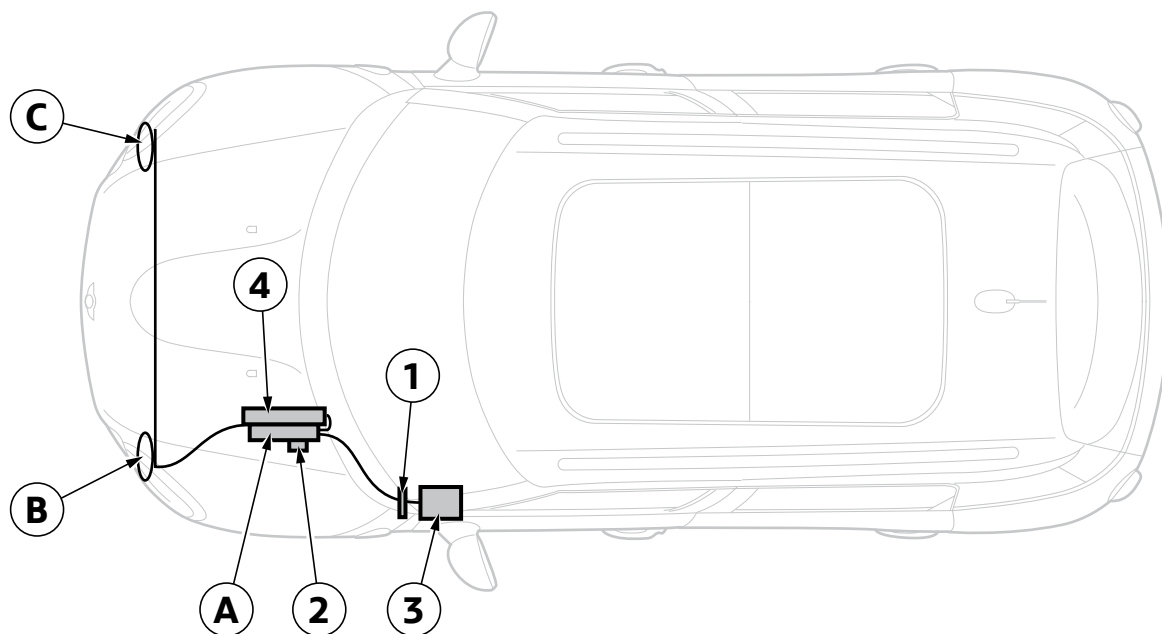
R57 0047 Z

Item	Designation	Signal	Cable colour/ cross-section	Connection location in the car	Abbreviation/ slot
A	Control unit with cable set	---	---	---	---
A1	Cable open	Terminal 15	BL 0.5 mm <sup>2</sup>	With crimp connector <b>E</b> to the GR cable of the footwell module <b>A4011</b>	X14261 PIN 12
A2	Ring eyelet M6	Terminal 30	RT	To fuse box in engine compartment <b>A400a</b>	X10201
A3	Ring eyelet M6	Terminal 31	SW 0.5 mm <sup>2</sup>	To ground support point <b>X13004</b>	X13004
A4	SW 2-pin socket casing	---	VI 0.5 mm <sup>2</sup>	To the front, left plug of the vehicle	X129
A5	SW 2-pin socket casing	---	WS 0.5 mm <sup>2</sup>	To the front, left plug of the vehicle	X768
A6	WS 6-pin socket casing	---	---	To the front, left LED daytime running light <b>B</b>	---
A7	SW 2-pin socket casing	---	GE 0.5 mm <sup>2</sup>	To the front, right plug of the vehicle	X769
A8	SW 2-pin socket casing	---	GN 0.5 mm <sup>2</sup>	To the front, right plug of the vehicle	X136
A9	WS 6-pin socket casing	---	---	To the front, right LED daytime running light <b>C</b>	---

#### 4. Preparatory work

	ISTA No.
Conduct a brief test	---
Disconnect the negative pole of the battery	12 00 ...
<b>The following components must be removed first of all</b>	
Front ornamental grille	51 13 000
Front trim panel on wheel house, left and right	51 13 102
Bumper trim	51 11 156
Left headlight (adaptive cornering light) or left headlight (xenon)	63 12 015/ 63 12 010
Right and left fog lights (no longer required)	63 17 075
Left cowl panel cover	51 13 123
Left and right windscreen wipers	61 61 081
Front left door sill strip	51 47 000
Detach footwell module	61 35 115

## 5. Installation and cabling diagram

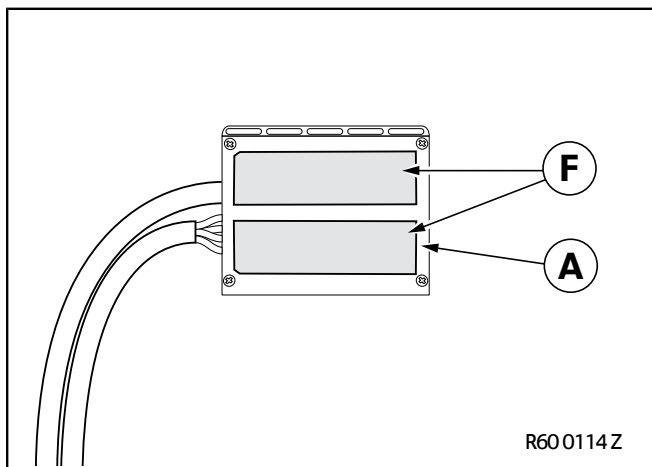


R57 0048 Z

- A** Control unit with cable set
- B** LED daytime running light, left
- C** LED daytime running light, right

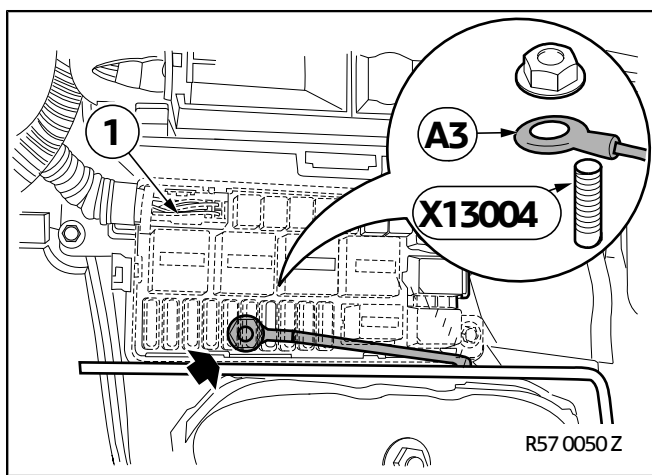
- 1** Rubber grommet
- 2** Ground support point **X13004**
- 3** Footwell module **A4011**
- 4** Power distribution box in engine compartment **A400a**

## 6. Installing the retrofit cable set and LED daytime running lights



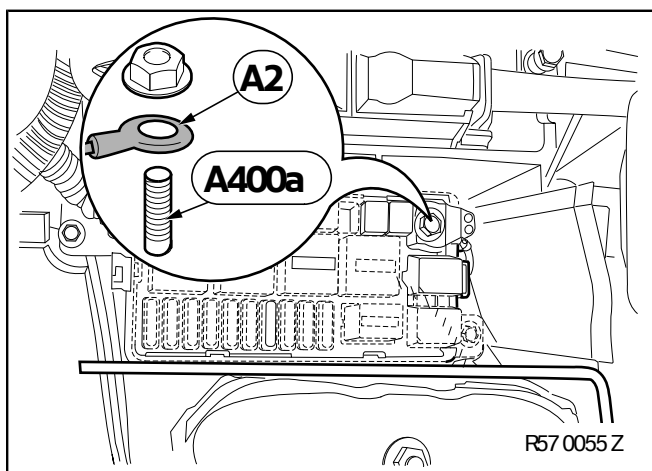
☐ Clean the surfaces to be bonded. ◀

Affix adhesive pads **F** to the back of control unit **A**.



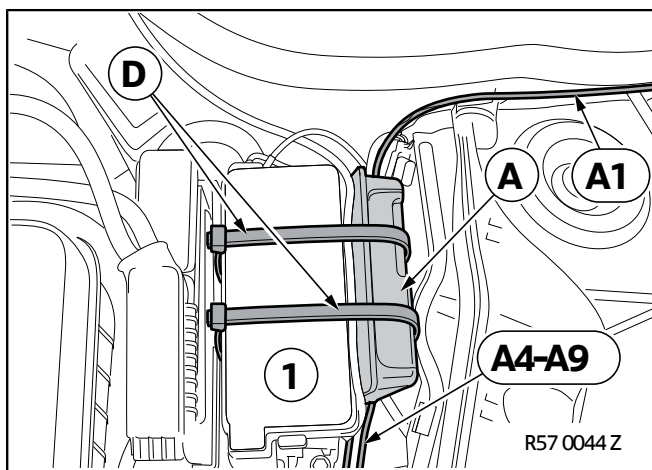
Detach power distribution box **A400a** in the engine compartment and fold to the side.

Secure branch **A3** to the ground support point **X13004** underneath.



Secure power distribution box **A400a** in the engine compartment.

Secure branch **A2** to the power distribution box **A400a** in the engine compartment.



☐ Depending on the engine type, an alternative installation location may have to be defined. ◀

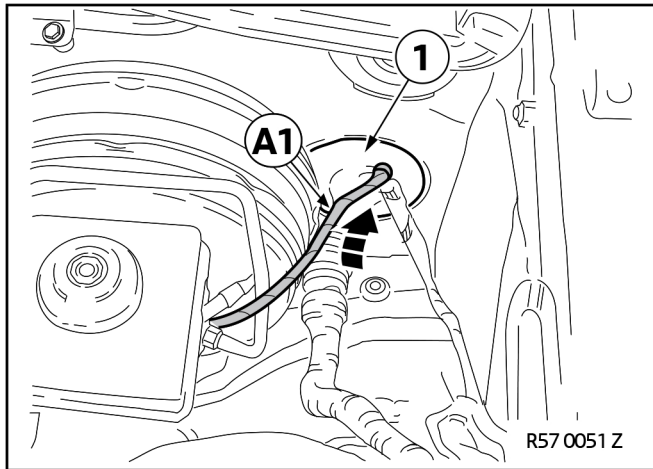
Affix control unit **A** to the power distribution box in the engine compartment (1) and secure with cable ties **D**.

Route branch **A1** to the bulkhead of the driver's side.

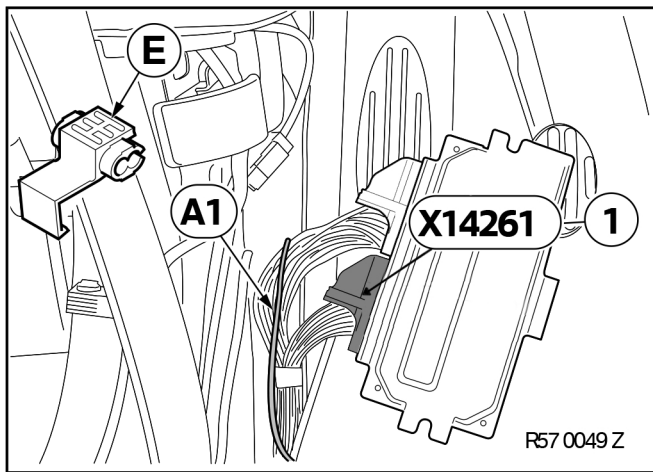
Route branches **A4-A9** to the LED daytime running lights.



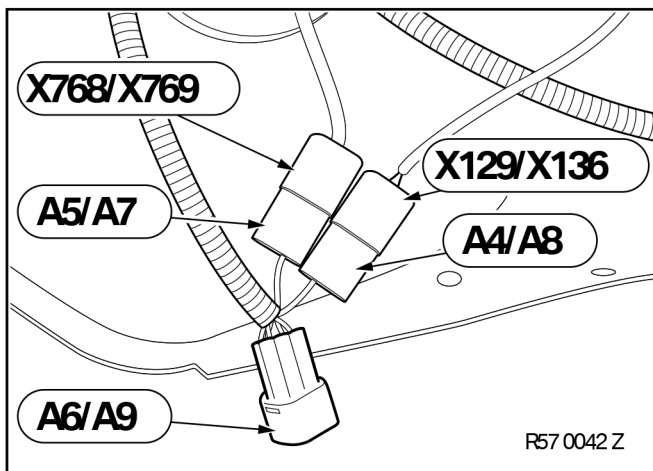
## 6. Installing the retrofit cable set and LED daytime running lights



Route branch **A1** through rubber grommet (1) in the partition wall into the interior of the car.



Connect branch **A1**, cable colour BL, with miniature connector **E** to the cable from Pin 12 of plug **X14261**, SW 51-pin socket housing, of the footwell module(1) .

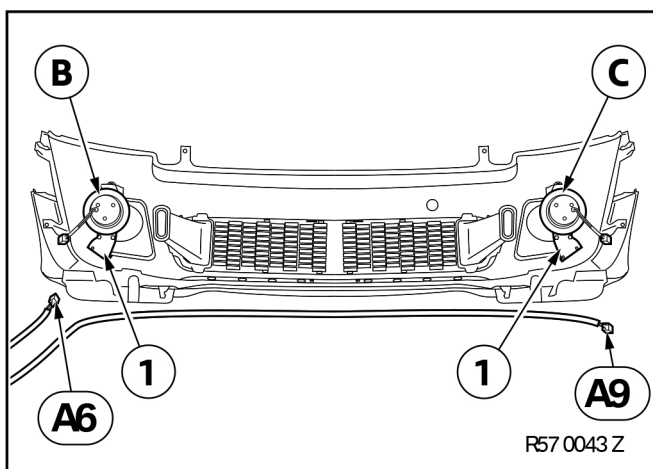


Connect branches **A4-A5** as follows to the left vehicle side:

- Branch **A4** to plug **X129**
- Branch **A5** to plug **X768**

Connect branches **A7-A8** as follows to the right vehicle side:

- Branch **A7** to plug **X769**
- Branch **A8** to plug **X136**



Remove original fog lights support (1), see ISTA 63 17 075.

Attach LED daytime running lights **B** and **C** using the available mounting material to support (1) and mount to bumper trim, see ISTA 63 17 075.

Plug branches **A6** and **A9** into LED daytime running lights **B** and **C**.

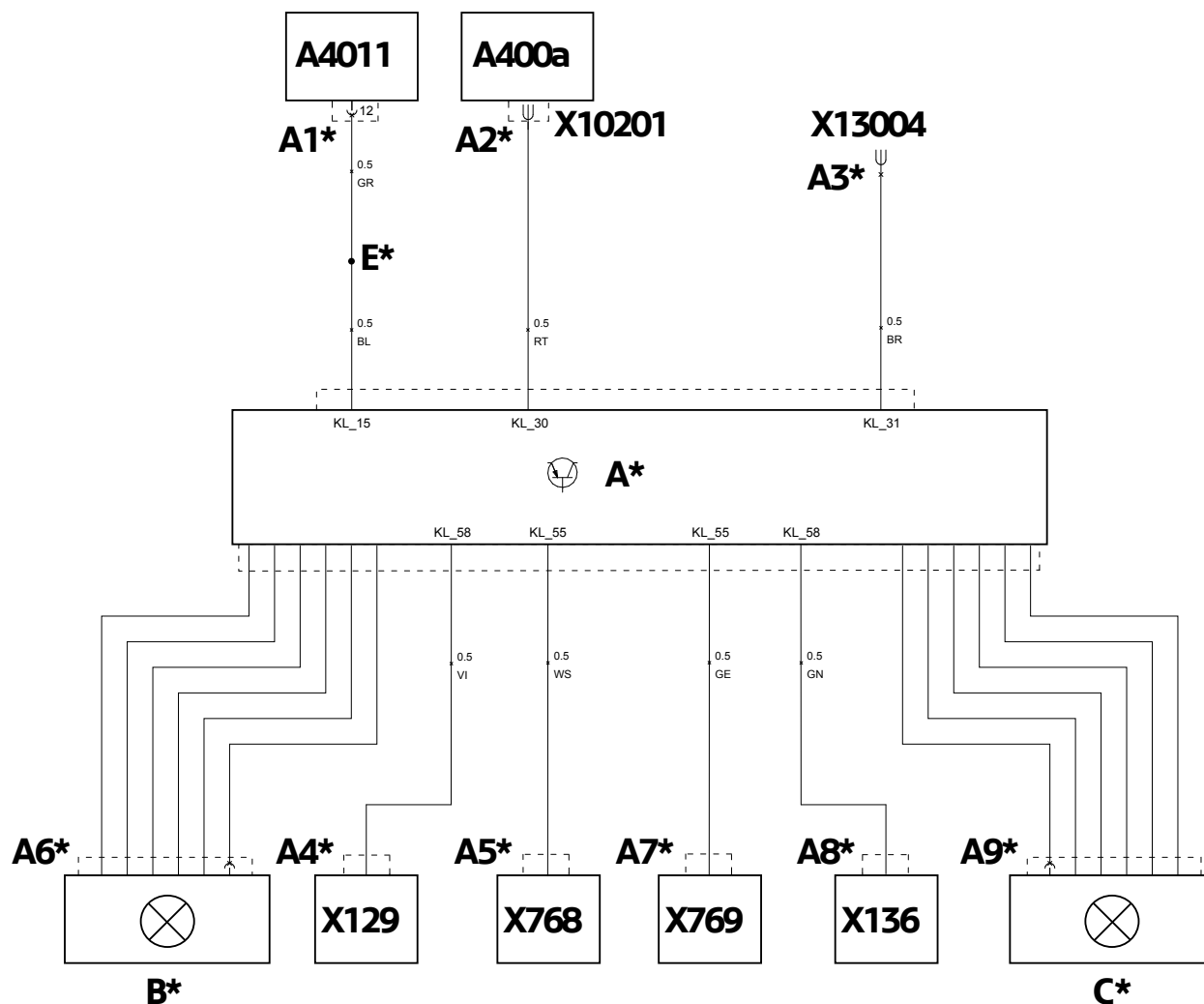
Attach bumper trim, see ISTA 51 11 156.

## 7. Concluding work and coding

The retrofit system does not require programming / coding.

- Connect the battery
- Carry out a functional check
- Re-assemble the car appropriately
- Deactivate the daytime running light function in the onboard computer

## 8. Wiring diagram



R57 0046 Z

### Legend

- A\*** Control unit  
**A1\*** Cable open, with miniature connector **E\*** to right footwell module **A4011**  
**A2\*** M6 ring eyelet, to engine compartment power distribution box **A400a**  
**A3\*** M6 ring eyelet, to ground support point **X13004**  
**A4\*** SW 2-pin socket casing, to socket on vehicle of the left side marker light **X129**  
**A5\*** SW 2-pin socket casing, to socket on vehicle of the left front fog light **X768**  
**A6\*** WS 6-pin socket casing, to left LED daytime running light **B\***  
**A7\*** SW 2-pin socket casing, to socket on vehicle of the right side marker light **X769**  
**A8\*** SW 2-pin socket casing, to socket on vehicle of the right front fog light **X136**  
**A9\*** WS 6-pin socket casing, to right LED daytime running light **C\***

All the designations marked with an asterisk (\*) apply only to these installation instructions or this wiring diagram.

### Cable colours

BL	Blue	GR	Grey	RT	Red
BO	Bordeaux (Burgundy)	L-GN	Light green	SW	Black
BR	Brown	NT	Natural	TR	Transparent
GE	Yellow	OR	Orange	VI	Violet
GN	Green	RO	Pink	WS	White

## 9. Customer information

### Function

To ensure proper functioning of the LED daytime running lights, the daytime running light option of your vehicle may not be reactivated via the onboard computer.