

ORIGINAL MINI ACCESSORIES. INSTALLATION INSTRUCTIONS.



John Cooper Works Tuning Kit MINI Cooper S (F56/F55)

Retrofit kit numbers

11 12 2 360 845	Tuning kit F55 ECE
11 12 2 360 847	Tuning kit F55 US
11 12 2 359 628	Tuning kit F56 ECE
11 12 2 359 630	Tuning kit F56 US
11 12 2 359 631	Tuning kit F56 US

Installation time

The installation time is **approx. 3.0 hours**. This may vary depending on the condition of the vehicle and the equipment in it.

The installation time shown does not include any time spent on programming / coding.

The calculation of the total costs for the programming time must be factored into the calculation of retrofitting costs (no charges may be made through the warranty).

Important information

These installation instructions are primarily designed for use within the BMW dealership organisation and by authorised MINI service companies.

In any event the target group for these installation instructions is specialist personnel trained on MINI cars with the appropriate specialist knowledge.

All work must be completed using the latest MINI repair manuals, wiring diagrams, servicing manuals and work instructions, in a rational order, using the prescribed tools (special tools) and observing current health and safety regulations.

If you experience installation or function problems, restrict troubleshooting to approx. 0.5 hours for mechanical work and 1.0 hour for electrical work.




To avoid unnecessary extra work and/or costs, send an inquiry straight away to the technical parts support team via the Aftersales Assistance Portal (ASAP).

Quote the following information:

- Chassis number,
- Retrofit kit part number,
- A detailed description of the problem,
- And any work already carried out.

Do not archive the hard copy of these installation instructions since daily updates are provided via ASAP!

Pictograms

-  Denotes instructions that draw your attention to dangers.
-  Denotes instructions that draw your attention to special features.
-  Denotes the end of the instruction or other text.

Installation information

Ensure that the cables and/or lines are not kinked or damaged as you install them in the car. Costs arising from this will not be reimbursed by BMW AG.

Additional cables/wires that you install must be secured with cable ties. If the specified PIN chambers are occupied, bridges, double crimps or twin-lead terminals must be used.

All pictures show LHD (left-hand drive) cars; proceed accordingly on RHD (right-hand drive) cars.

After the installation work, the retrofit must be programmed / coded via the – **Conversions** – path.

Do not open the cable ties on wiring harness **F** in the case of left-hand drive cars. The loop serves as an extension in the case of right-hand drive cars.

Requesting the activation code

The activation code must be requested using the document enclosed with the tuning kit in the envelope marked **M** via the Aftersales Assistance Portal (ASAP) in the "Service/Technology" section under "Sweeping Technologies", menu item "Request Tuning Kit FSC".

Parts report (for German-speaking regions only)

Print out the parts report at the end of the installation instructions and give it to the customer.

Workshop certificate

Print out the workshop certificate at the end of the installation instructions, fill it in and give it to the customer.



If "Track mode" is used on public roads, the permit according to the StVZO is rendered void. ◀

Radio remote control

Tailgate silencer remote control **P** must be given to the customer along with its packaging and its function explained.

Certificate

Certificate **I** must be filled out and given to the customer.

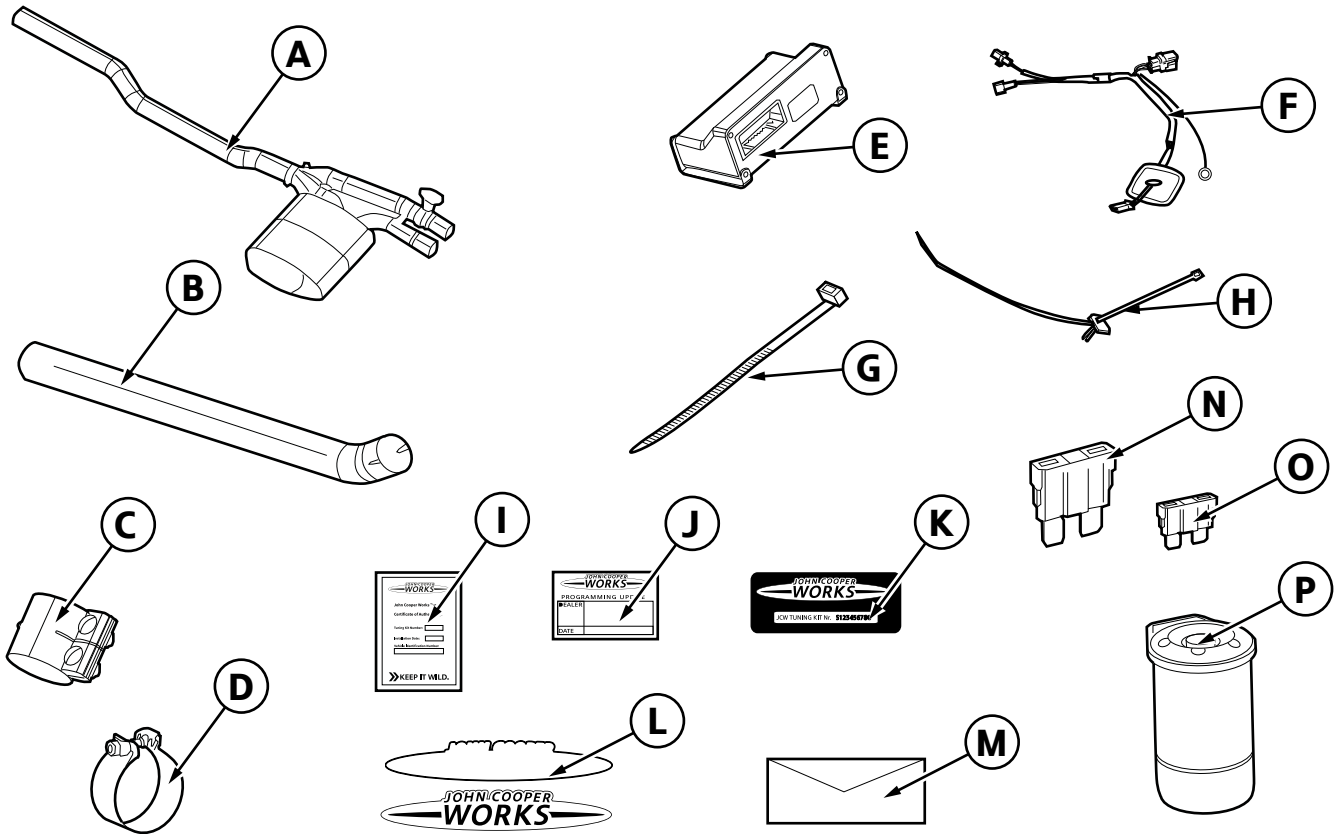
Special tools required

17 2 051, no information

Table of contents

Section	Page
1. Tuning kit parts list	4
2. Preparatory work	5
3. Installing the tailgate silencer system	6
4. Installing the wiring harness	7
5. Installing the tuning kit	9
6. Requesting the activation code	10
7. Concluding work and coding	11
8. Workshop certificate	12

1. Tuning kit parts list



F56 0156 V

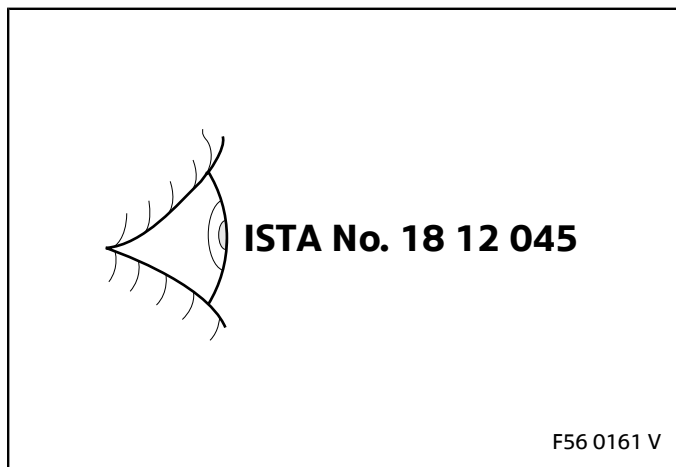
Legend

- A** Tailgate silencer
- B** Tailgate silencer preliminary pipe
- C** Clamping sleeve
- D** Clamping ring (ECE vehicles only)
- E** Tailgate silencer receiver unit
- F** Tailgate silencer wiring harness
- G** Cable tie (10 x)
- H** Cable tie with retaining stop
- I** Certificate
- J** Sticker
- K** Bonnet badge
- L** Tailgate emblem
- M** Envelope
- N** Fuse 3A
- O** Mini fuse 3A
- P** Tailgate silencer remote control (including packaging)

2. Preparatory work

	ISTA No.
Disconnect the negative terminal of the battery	12 00 ...
The following components must be removed first of all	
Luggage compartment wheel arch trim, right	51 47 161
Luggage compartment floor trim	51 47 101
Finisher on the top tail panel	51 46 050
Front right or left door sill cover strip	51 47 000
Rear right or left side trim	51 43 002
Side footwell trim on the A pillar, right or left	51 43 075
Disengage the front power distribution box	61 14 ...
Entire exhaust system	18 00 018
For right-hand drive cars only	52 26 005
Rear seat	
Also for F55 cars	
Side footwell trim on the B pillar, right or left	
Rear right or left door sill cover strip	

3. Installing the tailgate silencer system

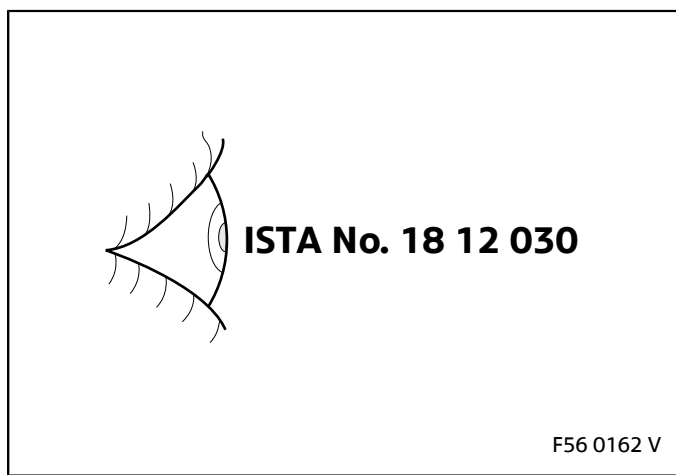


For cars without underfloor catalytic converter

Fit tailgate silencer preliminary pipe **B**. To do this, use clamping ring **D** and, in contrast to **ISTA No. 18 12 045**, fit at **45 Nm**.

For cars with underfloor catalytic converter

Fit tailgate silencer preliminary pipe **B** as per **ISTA No.18 12 045**.



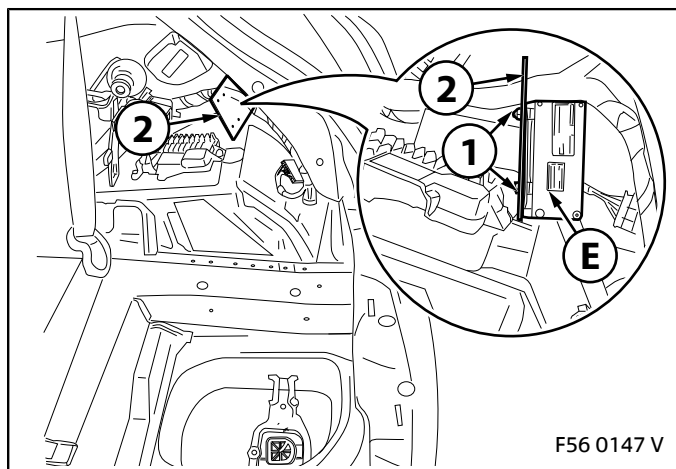
Fit tailgate silencer **A** as per **ISTA No. 18 12 030**.

4. Installing the wiring harness

! Do not open the cable ties on wiring harness F in the case of left-hand drive cars. The loop serves as an extension in the case of right-hand drive cars. ◀

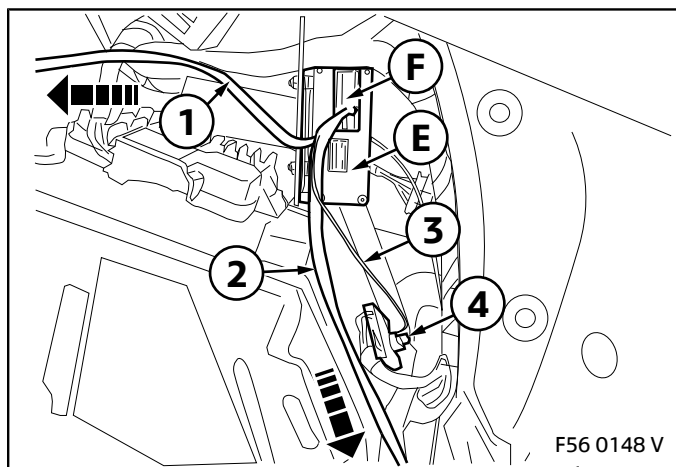
For right-hand drive cars only

Open the cable ties on wiring harness F.



For all cars

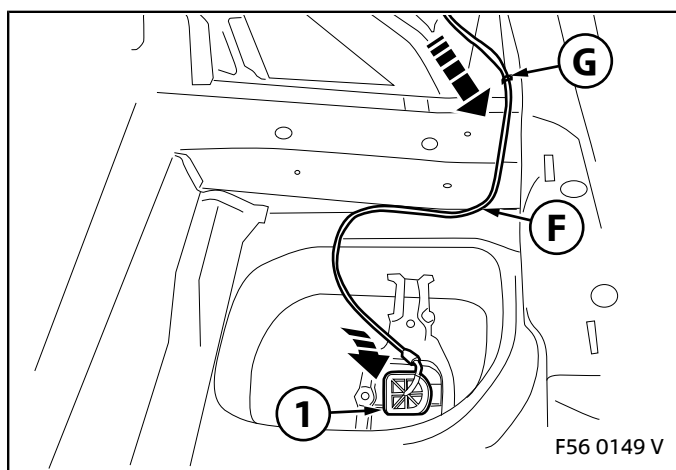
Screw tailgate silencer receiver unit E using the nuts (1) onto the holding panel (2).



Plug wiring harness F into tailgate silencer receiver unit E. Route the long cable (1) from wiring harness F using cable ties G to the front along the existing wiring harness into the passenger side footwell.

Route the cable (2) from wiring harness F downwards.

Firmly screw the earth cable (3) to the ground support point (4) on the car.



For F55 only

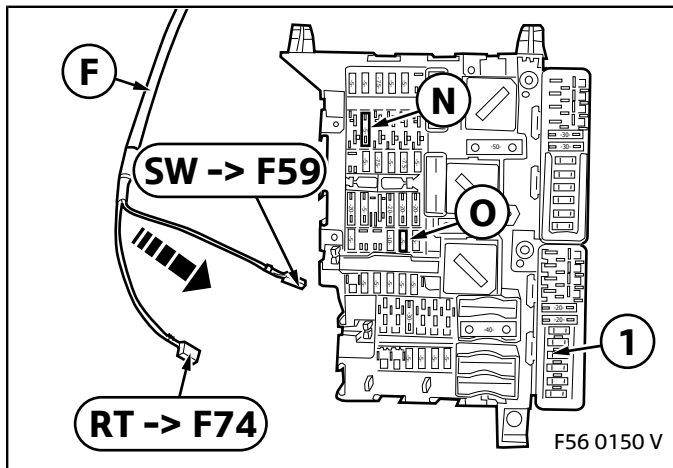
Remove the wiring harness clip in front of the floor stop.

For all cars

Connect wiring harness F with cable tie G.

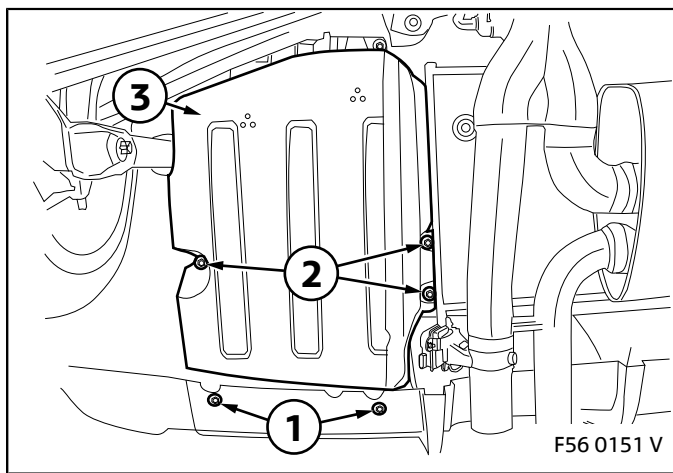
Remove the floor stop (1) from the car and thread through the plug from wiring harness F, then insert the floor plug (1) from wiring harness F into the opening.

4. Installing the wiring harness



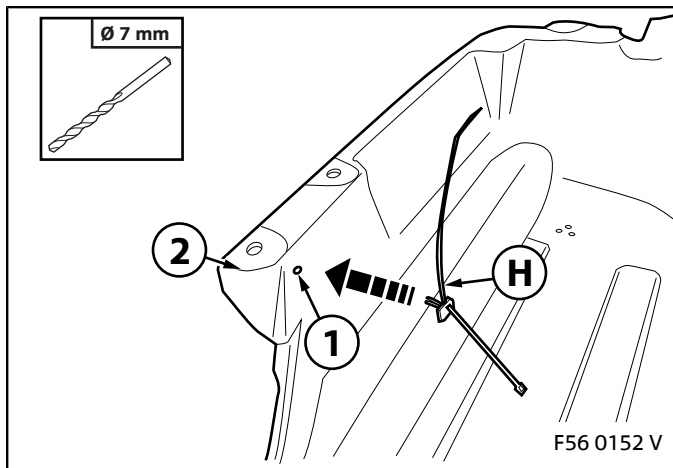
Connect the red cable (RT) from wiring harness F to fuse plug F74. Insert fuse N into slot F74.

Connect the black cable (SW) from wiring harness F to fuse plug F59. Insert fuse O into slot F59.

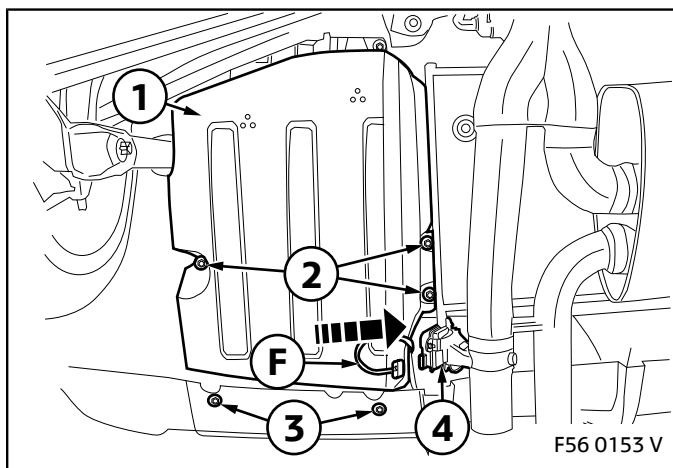


Remove the two screws (1) from the rear bumper.

Remove the three screws (2) from the underfloor liner (3). Remove the underfloor liner (3).



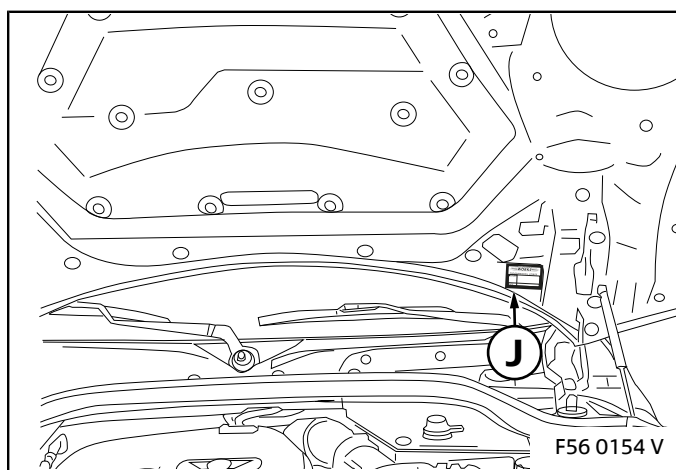
Create a drill hole (1) of **diameter 7 mm** in the underfloor liner (2). From the inside, press the cable tie holding stop with holding stop H into the drill hole (1). Secure wiring harness F using cable tie H in the inside of the underfloor liner (2).



Re-fit the underfloor liner (1), securing it into place with the three existing screws (2). Then secure the rear bumper trim in place using the two existing screws (3).

Connect the plug from wiring harness F to the exhaust valve adjuster (4).

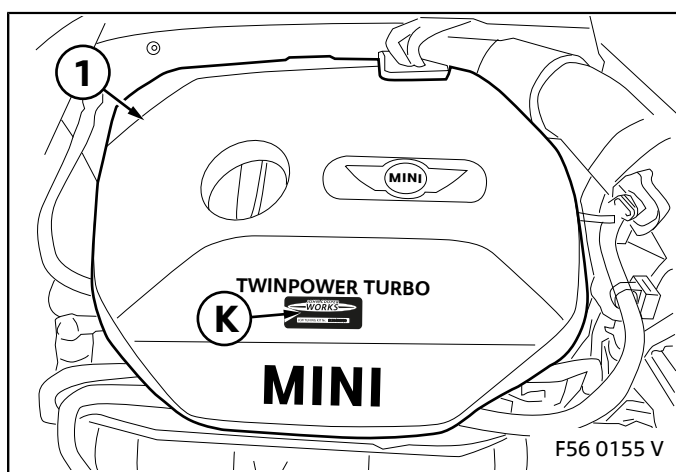
5. Installing the tuning kit



▶ The bonding surfaces must be completely dry, clean and free from wax or grease. ◀

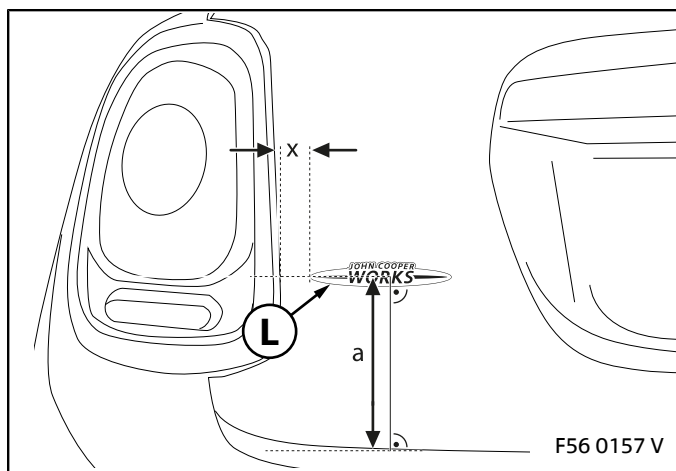
Enter the dealership and date on sticker J.

Affix sticker J on the right lower underside of the bonnet.



▶ The bonding surfaces must be completely dry, clean and free from wax or grease. ◀

Position bonnet badge K in the centre of the bonnet (1).



▶ The bonding surfaces must be completely dry, clean and free from wax or grease. ◀

The position of tailgate emblem L must be aligned between the edge of the tailgate and the depression of the number plate mounting.

$x = 44.0 \text{ mm}$

$a = 84.0 \text{ mm}$



6. Requesting the activation code

The screenshot shows the 'Aftersales Assistance Portal ASAP' interface. The page title is 'SWEEPING TECHNOLOGIES (Tuning Freischaltcodes)'. On the left, there is a search bar with 'Suchbegriffe' and 'Fahrgestellnummer' fields, a 'Suche' button, and a '>Erweiterte Suche' link. Below the search bar is a navigation menu with 'Home' and 'Service / Technik'. The main content area has a 'Suche' button and three input fields: 'Fahrgestellnummer' (containing 'ZK93753'), 'SN' (containing 'BFP0000'), and 'Key' (containing 'HK2JUV7777C'). A 'Download' button is located below these fields. Four numbered callouts (1, 2, 3, 4) point to the search bar, the 'Fahrgestellnummer' field, the 'SN' field, the 'Key' field, and the 'Download' button respectively. The footer of the page reads 'F56 0158 V'.

 Note that entries are case sensitive! ◀

Remove the activation code document from envelope **M** and log into the ASAP portal. On the "Service/Technology" page, open the "Sweeping Technologies" menu and menu item "Request Tuning Kit FSC". In the field marked "Chassis number" (1), enter the last 7 digits of the chassis number. In the field marked "SN" (2), enter the serial number. In the field marked "Key" (3), enter the alphanumeric combination from the tuning kit activation code document found in envelope **M**. Then click the "Download" button (4).

The screenshot shows the 'Aftersales Assistance Portal ASAP' interface after a search. The page title is 'SWEEPING TECHNOLOGIES (Freischaltcode - Download)'. On the left, there is a search bar with 'Suchbegriffe' and 'Fahrgestellnummer' fields, a 'Suche' button, and a '>Erweiterte Suche' link. Below the search bar is a navigation menu with 'Home' and 'Service / Technik'. The main content area has a 'Neue Suche' button and an 'Info' section. The 'Info' section shows 'Fahrgestellnummer' (ZK93753) and 'Ihre Händlernummer' (Anzahl ausgewählter Codes: 1). Below this is a 'Freischaltcodes anzeigen' button. A table titled 'Ihre ausgewählten FSCs' is displayed with the following data:

Fahrgestellnummer	OrderID	Teilenummer	Upload Datum		
ZK93753	000000	Tuning Kit	19 Oct 2009 15:17		

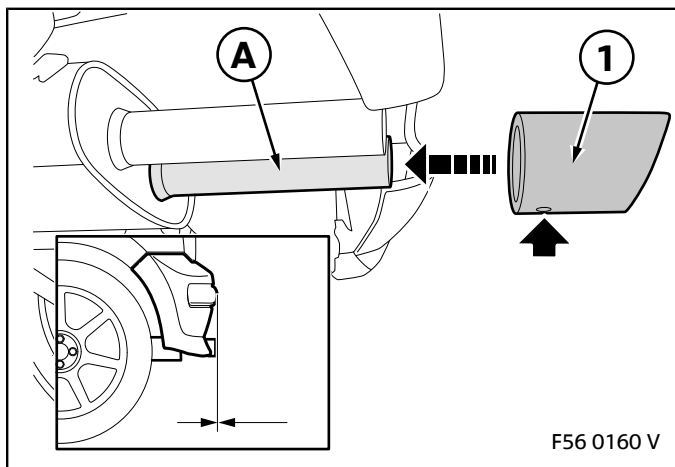
A numbered callout (1) points to the 'Freischaltcodes anzeigen' button. The footer of the page reads 'F56 0159 V'.

 If you enter the data incorrectly 10 times, the certificate will be blocked. ◀

Prior to downloading the activation code, you must check the chassis number and cancel the request if there are any mistakes. Save the activation code to a suitable storage medium and keep it ready for the programming process.

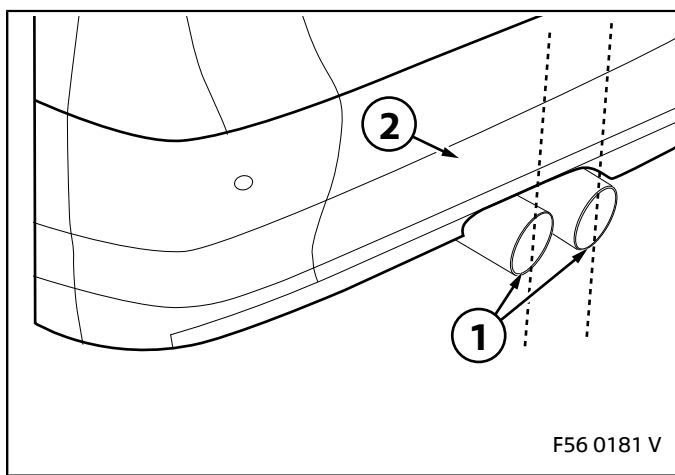
Once the activation code has been generated, you are automatically forwarded to the "Download Activation Codes" area (1).

7. Concluding work and coding



- ▶ The exhaust pipe finishers (1) must be aligned centred and parallel and must not extend beyond the bodywork parts situated above them. ◀

Align the exhaust pipe finishers (1) flush with the bodywork parts situated above them and tighten to **3 Nm**.



- ▶ During installation and also during vehicle operation (thermal expansion of the exhaust system), care must be taken to ensure that the tailpipe finisher (1) does not extend beyond the rear apron (2). Danger of burning! ◀

- ▶ The retrofit must be carried out with ISSS (using the latest software version!). ◀

- Connect the car with the ISSS using ICOM. Vehicle identification begins automatically.
- Confirm the control unit replacement with "No".
- After identification, switch to the "Vehicle" menu and then select the tab "Conversions".
- Select the conversion performed and click "Determine action plan" below.
- Select "Accept action plan".
- Then follow the instructions.
- After programming, carry out a vehicle test and observe the instructions in the follow-on work list.

- ▶ If the action "Enable DME/DDE" action should appear in the concluding report, you must change the terminals. After changing the terminals, continue with the standard diagnostic process (continue with the car test) and delete any error memory entries. You must ensure that no error memory entries are still present. ◀

- Re-assemble the car appropriately

8. Workshop certificate



Workshop certificate John Cooper Works Tuning Kit

This is to confirm that the John Cooper Works Tuning Kit has been fully installed on the vehicle below.
No additional components have been converted or retrofitted.

Part number

11 12 2 360 845	JCW Tuning Kit	F55 ECE
11 12 2 360 847	JCW Tuning Kit	F55 US
11 12 2 359 628	JCW Tuning Kit	F56 ECE
11 12 2 359 630	JCW Tuning Kit	F56 US
11 12 2 359 631	JCW Tuning Kit	F56 US

If "Track mode" is used on public roads, the permit according to the StVZO is rendered void.

Vehicle type:

Vehicle identification no.:

Name and address of the vehicle owner:

Place, date

Signature of person responsible

Dealership (company name / stamp)