

ORIGINAL MINI ACCESSORIES. INSTALLATION INSTRUCTIONS.



MINI Advanced Car Eye Retrofit

All MINI models

Retrofit kit number

| | |
|-----------------|---|
| 66 21 2 289 725 | MINI Advanced Car Eye retrofit kit (front and rear-view camera, not for MINI Convertible and MINI Clubman) |
| 66 21 2 289 726 | MINI Advanced Car Eye retrofit kit (front camera) |
| 66 21 2 289 727 | Rear-view camera upgrade kit (not for MINI Convertible and MINI Clubman) |

Installation time

The installation time for the MINI Advanced Car Eye front and rear-view camera retrofit kit is **around 1.5 hours**.

If only the MINI Advanced Car Eye front camera retrofit kit is installed, the installation time reduces to **around 1 hour**.

If only the rear-view camera upgrade kit is installed, the installation time is around **1.25 hours**.

This may vary depending on the condition of the car and the equipment in it.

Important information

These installation instructions are primarily designed for use within the MINI dealership organisation and by authorised MINI service companies.

In any event the target group for these installation instructions is specialist personnel trained on MINI cars with the appropriate specialist knowledge.

All work must be completed using the latest MINI repair manuals, wiring diagrams, servicing manuals and work instructions, in a rational order, using the prescribed tools (special tools) and observing current health and safety regulations.

If you experience installation or function problems, restrict troubleshooting to approx. 0.5 hours for mechanical work and 1.0 hour for electrical work.




To avoid unnecessary extra work and/or costs, send an inquiry straight away to the technical parts support team via the Aftersales Assistance Portal (ASAP).

Quote the following information:

- Vehicle identification number,
- Retrofit kit part number,
- A detailed description of the problem,
- Any work already carried out.

Do not archive the hard copy of these installation instructions since daily updates are provided via ASAP!

Pictograms

-  Denotes instructions that draw your attention to dangers.
-  Denotes instructions that draw your attention to special features.
-  Denotes the end of the instruction or other text.

Installation information

Ensure that the cables and/or lines are not kinked or damaged as you install them in the car. Costs arising from this will not be reimbursed by BMW AG.

Additional cables/wires that you install must be secured with cable ties. If the specified PIN chambers are occupied, bridges, double crimps or twin-lead terminals must be used.

All pictures show LHD cars; proceed accordingly on RHD cars.

Front camera **C** must not restrict the driver's field of vision. Front camera **C** must be installed within the windscreen wiper's wipe area and outside any dyed sun protection strip. It must not be installed in the direct field of vision and must also not extend more than 4 cm into the area cleaned by the windscreen wipers.

Ensure that the function of the sun visor and the adjustment range of the interior mirror are not restricted. After installing front camera **C**, all buttons, plugs and the SD card slot must be freely accessible.

GPS antenna **B** must be attached with a clear line of sight to the sky, however it must not be positioned in the area of the windscreen wipers.

It should be positioned as far away from front camera **C** as possible.

rear-view camera **G** (optional) is installed in the same way as front camera **C** on the rear windscreen, if present, in an area cleaned by the windscreen wiper.

rear-view camera **G** should be positioned in the centre with a horizontal view to the rear.

The arrow on rear-view camera **G** must point upwards.

If the picture in the display of front camera **C** is back to front, the display must be changed using the small button on rear-view camera **G**.

If the firmware status of the front camera is earlier than V1.01-1.4 this may result in a Check Control message. In this case, the PuMa measure AG 58088649 is to be processed.

Customer information

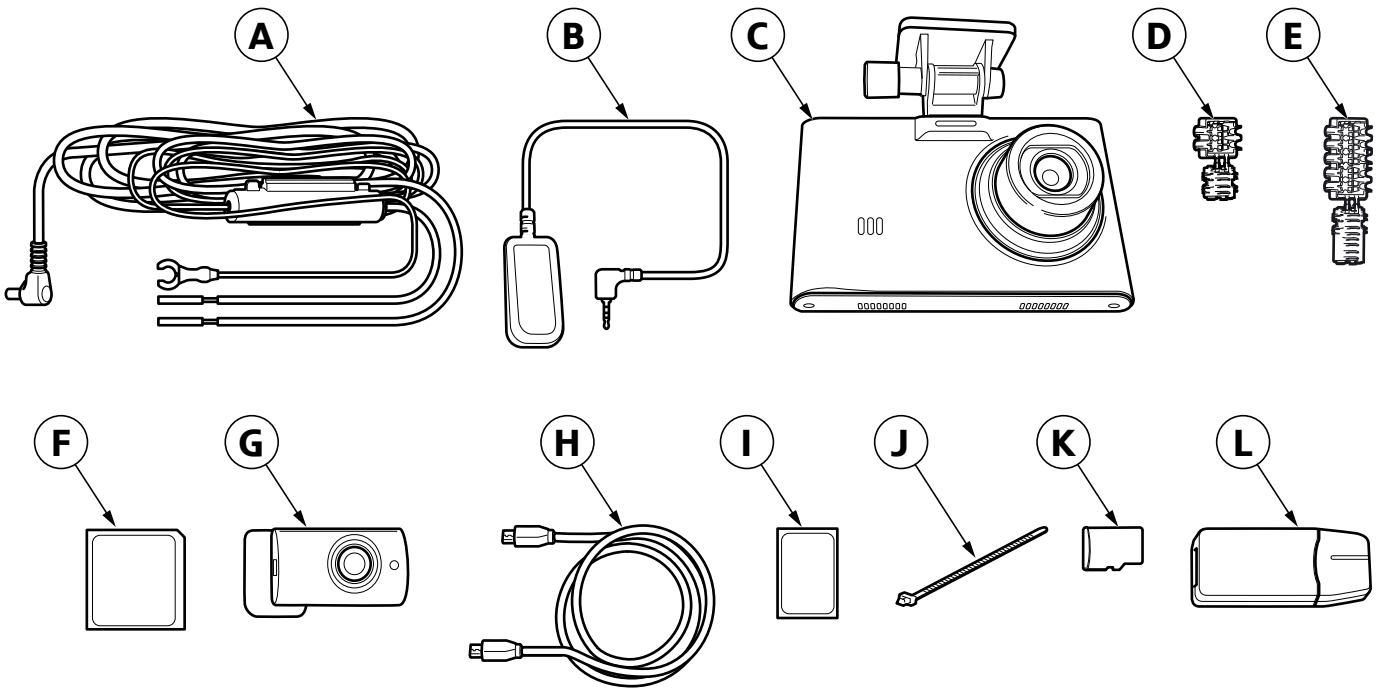
Print out the "Customer information" section at the end of the installation instructions and give it to the customer.

Special tools required

00 9 325, wedge

00 9 327, wedge

1. Parts list for retrofit kit



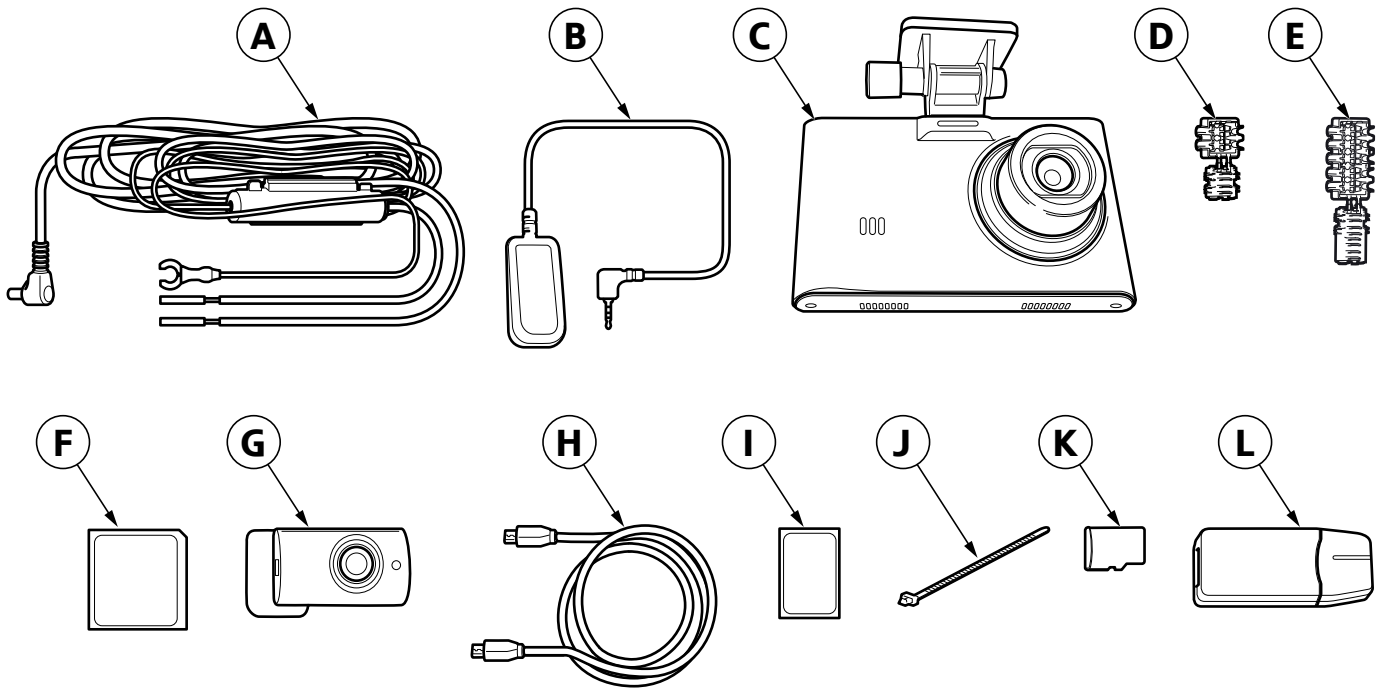
001 0771 Z

Legend

MINI Advanced Car Eye front and rear-view camera retrofit kit

- A** Wiring harness
- B** GPS antenna
- C** Front camera with bracket
- D** 2-way miniature connector (2 x)
- E** 5-way miniature connector
- F** Spare tape for front camera
- G** Rear-view camera
- H** Rear-view camera connecting cable
- I** Spare tape for rear-view camera
- J** Cable tie (20 x)
- K** Micro SD card
- L** Micro SD card to USB adapter

1. Parts list for retrofit kit



001 0771 Z

Legend

MINI Advanced Car Eye front camera retrofit kit

- A** Wiring harness
- B** GPS antenna
- C** Front camera with bracket
- D** 2-way miniature connector (2 x)
- E** 5-way miniature connector
- F** Spare tape for front camera
- J** Cable tie (5 x)
- K** Micro SD card
- L** Micro SD card to USB adapter

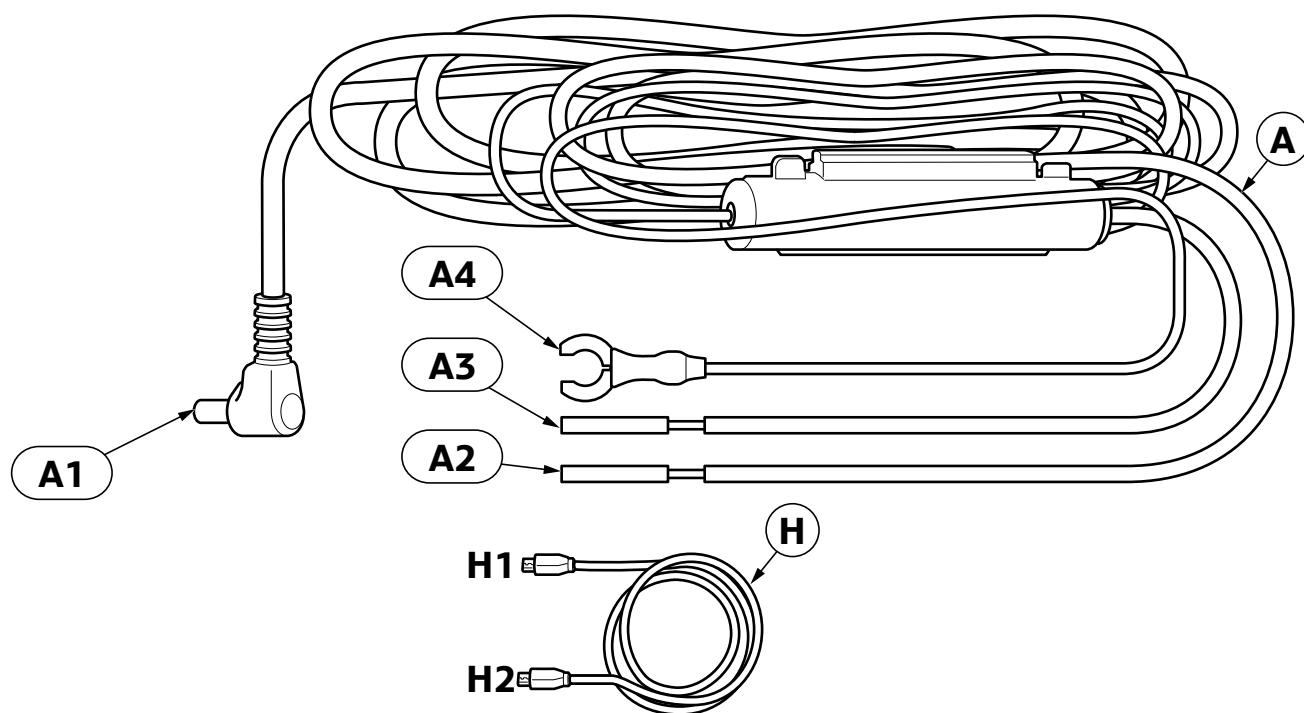
Rear-view camera upgrade kit

- G** Rear-view camera
- H** Rear-view camera connecting cable
- I** Spare tape for rear-view camera
- J** Cable tie (10 x)

2. Preparatory work

| | ISTA No. |
|---|-----------|
| Disconnect the negative terminal of the battery | 12 00 ... |
| The following components must be removed first of all | |
| Trim for front roof pillar (A-pillar), right | 51 43 201 |
| Front right sill cover strip | 51 47 000 |
| Side footwell trim on right A pillar | 51 43 075 |
| Trim for rear roof pillar (C-pillar) on the right (only when the rear camera is installed) | 51 43 251 |
| Finisher on bottom right B-pillar (only where the rear camera is installed) | 51 43 148 |
| Finisher on right rear windscreen frame (only where the rear camera is installed) | 51 49 013 |
| Rear right side trim (only where the rear camera is installed) | 51 43 002 |
| Remove the back seat (only where the rear camera is installed) | 52 26 005 |
| Remove the luggage compartment wheel arch trim on the right (only where the rear camera is installed) | 51 47 161 |

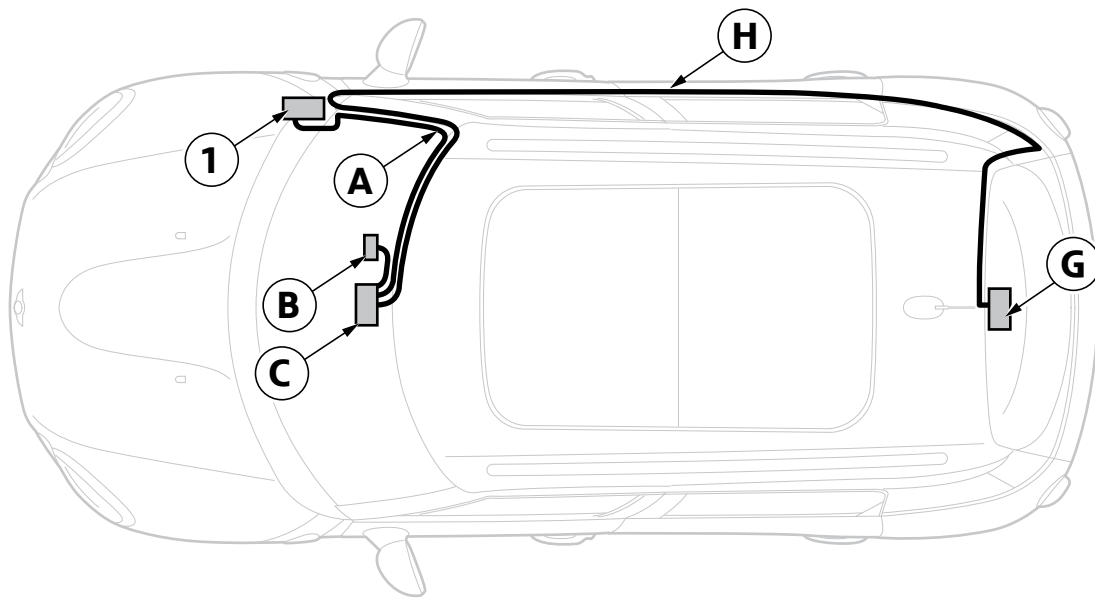
3. Retrofit wiring harness connection diagram



001 0772 Z

| Item | Designation | Signal | Cable colour/ cross-section | Connection location in the car | Abbreviation/ slot |
|------|-----------------------------------|-------------|--------------------------------|--|---|
| A | Wiring harness | --- | --- | --- | --- |
| A1 | Jack plug | --- | --- | To front camera C | --- |
| A2 | Open cable | Terminal 30 | GE 0.75 mm ² | Only cars without BDC With miniature connector E to fuse box A4011 Only cars with BDC With miniature connector E to BDC A258 | X11006 PIN 11 A258*3B PIN 33 |
| A3 | Open cable | Terminal 15 | RT 0.75 mm ² | Only cars without BDC With miniature connector D to fuse box A4011 Only cars with BDC With miniature connector D to BDC A258 | X11008 PIN 15 A258*3B PIN 20 |
| A4 | Eyelet | Terminal 31 | SW 0.75 mm ² | Only cars without BDC With miniature connector D to ground support point Only cars with BDC With miniature connector D to BDC A258 | X3294 A258*3B PIN 24 |
| H | Rear-view camera connecting cable | --- | --- | --- | --- |
| H1 | Mini USB plug | --- | --- | To front camera C | --- |
| H2 | Micro USB plug | --- | --- | To rear-view camera G | --- |

4. Installation and cabling diagram for cars from F5x onwards, Clubman and Convertible

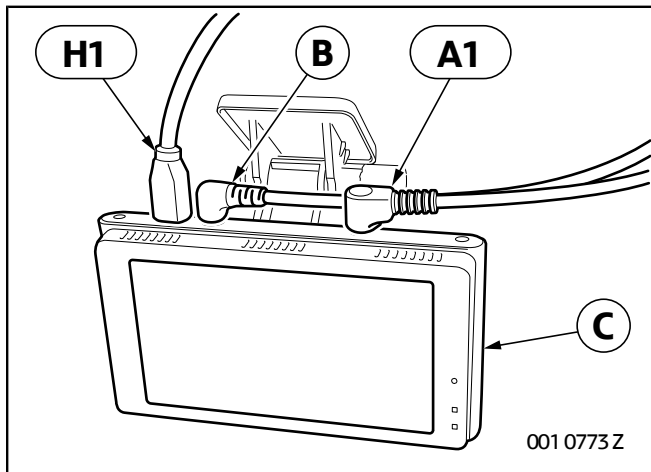


001 0778 Z

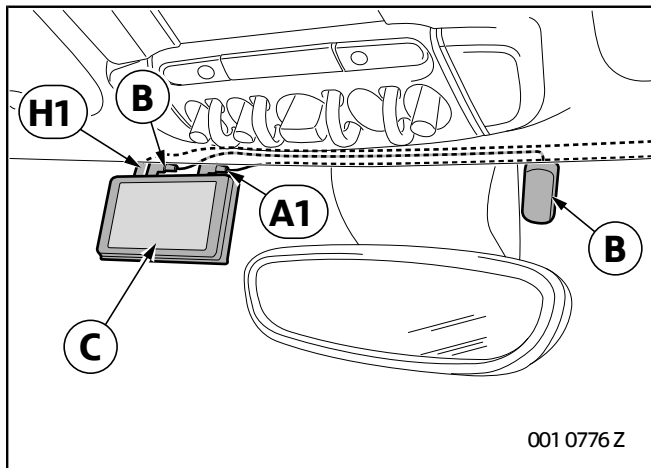
- A** Wiring harness
- B** GPS antenna
- C** Front camera with bracket
- G** Rear-view camera
- H** Rear-view camera connecting cable

- 1** **BDC A258**

5. Installation



Connect branch **A1**, GPS antenna **B** and branch **H1** (optional) to front camera **C**.

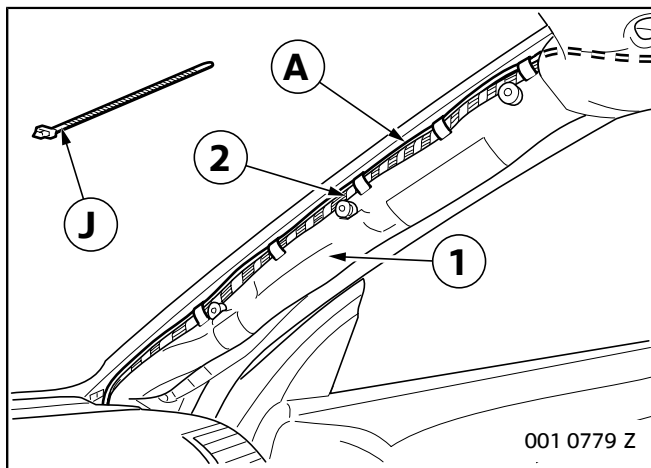


Front camera **C** must not restrict the driver's field of vision (see installation notes on page 2).

After installing front camera **C**, all buttons, plugs and the SD card slot must be freely accessible.

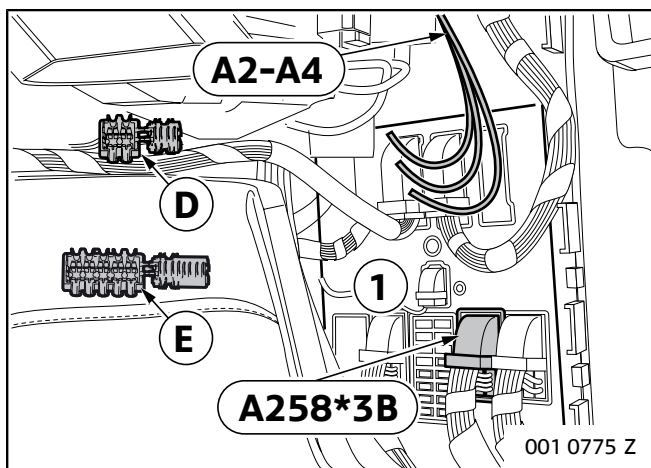
The bonding surfaces must be clean and free of grease. Working temperature at least 20 °C. ◀

Stick front camera **C** and GPS antenna **B** to the front windscreen.



In order to not adversely affect the function of the airbag (1), secure wiring harness **A** to the standard wiring harness (2) with cable tie **J**. ◀

Route wiring harness **A** and rear-view camera connecting cable **H** (optional) along the right A pillar into the footwell.

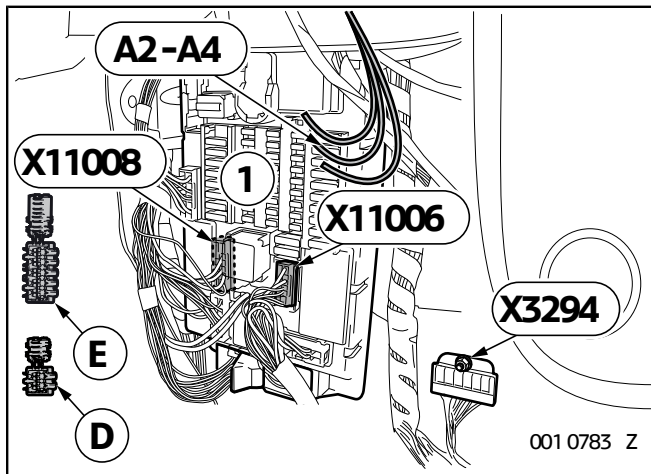


Only cars with BDC

Connect branches **A2-A4** as follows to BDC (1), plug **A258*3B**:

- Branch **A2**, GE cable, using miniature connector **E** to the cable from PIN 33
- Branch **A3**, RT cable, using miniature connector **D** to the cable from PIN 20
- Branch **A4**, SW cable, using miniature connector **D** to the cable from PIN 24

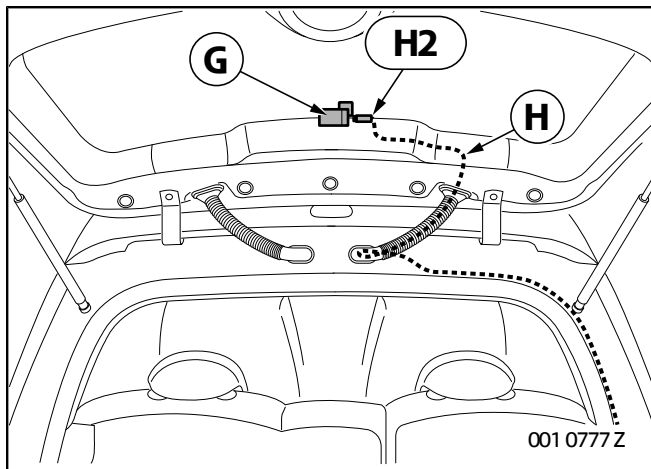
5. Installation



Only cars without BDC

Connect branches **A2–A4** as follows to the fuse box (1):

- Branch **A2**, GE cable, with miniature connector **E** to SW/RT cable from plug **X11006** PIN 11
- Branch **A3**, RT cable, with miniature connector **D** to RT/BL cable from plug **X11008** PIN 15
- Branch **A4**, SW cable, using miniature connector **D** to BR cable on ground support point **X3294**



Only where the rear-view camera (optional) is installed

▶ rear-view camera **G** must not restrict the driver's field of vision.

The bonding surfaces must be clean and free of grease. Working temperature at least 20 °C. ◀

Stick rear-view camera **G** onto the windscreen.

Route branch **H2** along the standard wiring harness to the rear windscreen and connect to rear-view camera **G**.

6. Concluding work and coding

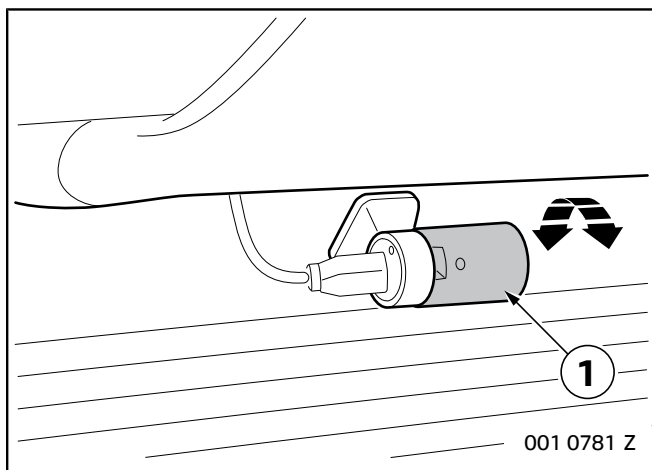
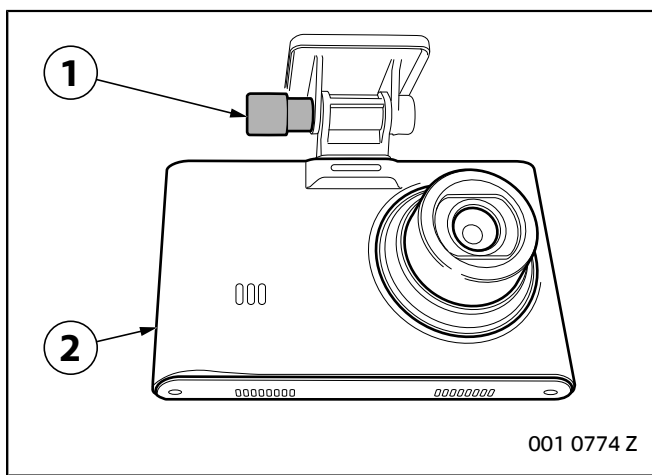
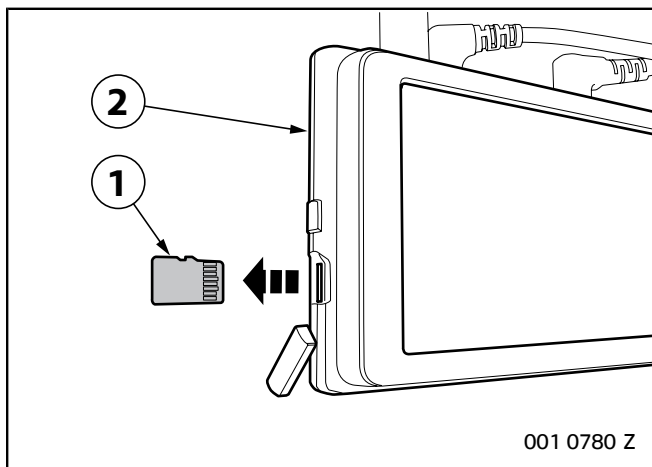
The retrofit system does not require programming / coding.

- Adjust the front and rear-view camera as per the customer information
- Conduct a function test
- Re-assemble the car in a logical manner

The following parts must be given to the customer:

- Micro SD card **K**
- Micro SD card to USB adapter **L**
- Spare tape for front camera **F**
- Spare tape for rear-view camera **I**
- Customer information

7. Customer information



Commissioning

▶ To avoid data loss and malfunctions, micro SD card (1) must only be inserted and removed when the front camera (2) is switched off. ◀

Slide the micro SD card (1) into the front camera (2).

Adjusting the front camera

⚠ Risk of accident!
All settings must only be carried out while the car is stationary. ◀

Only the upper quarter of the image should show sky over the horizon. The middle 2/4 display the traffic situation and the lowest quarter shows the near area, or the bonnet.

Undo the fastening screw (1) and adjust the angle of the front camera (2) until this corresponds to the definition set out above.

Tighten the fastening screw (1) again.

Adjusting the rear-view camera

⚠ Risk of accident!
All settings must only be carried out while the car is stationary. ◀

Only the upper quarter of the image should show sky over the horizon. The middle 2/4 display the traffic situation and the lowest quarter shows the near area, or the tailgate.

Swivel the rear-view camera (1) far enough until the angle of the rear-view camera (1) corresponds to the definition described above.

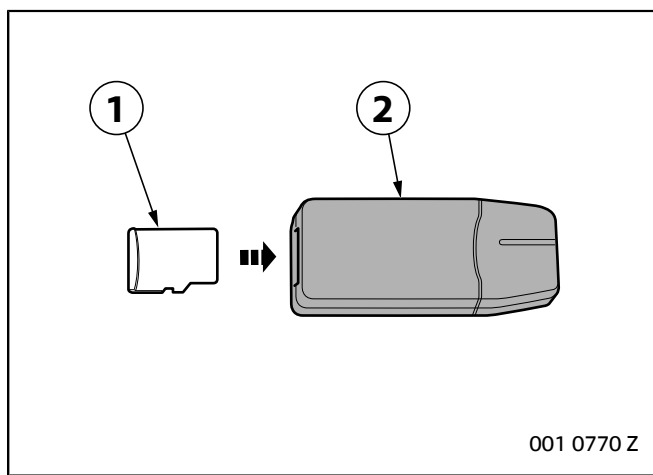
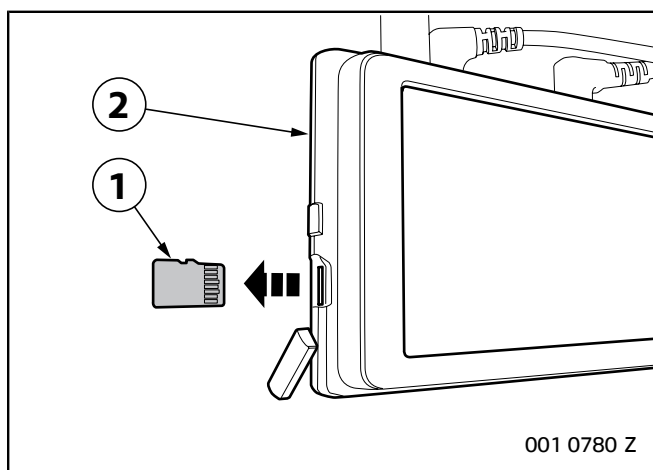
Setting the time

▶ Setting a time makes finding a video sequence easier.

If the GPS antenna is connected, the time and date are set automatically. ◀

Adjust the time zone in the front camera; to do this, see the enclosed operating instructions.

7. Customer information



Reading data via the PC

▶ To avoid data loss and malfunctions, micro SD card (1) must only be inserted and removed when the front camera (2) is switched off. ◀

Slide the micro SD card (1) out of the front camera (2).

Slide the micro SD card (1) into the USB adapter (2).

Connect the USB adapter (2) to your PC.

The reference source for the required software can be found in the enclosed operating instructions.