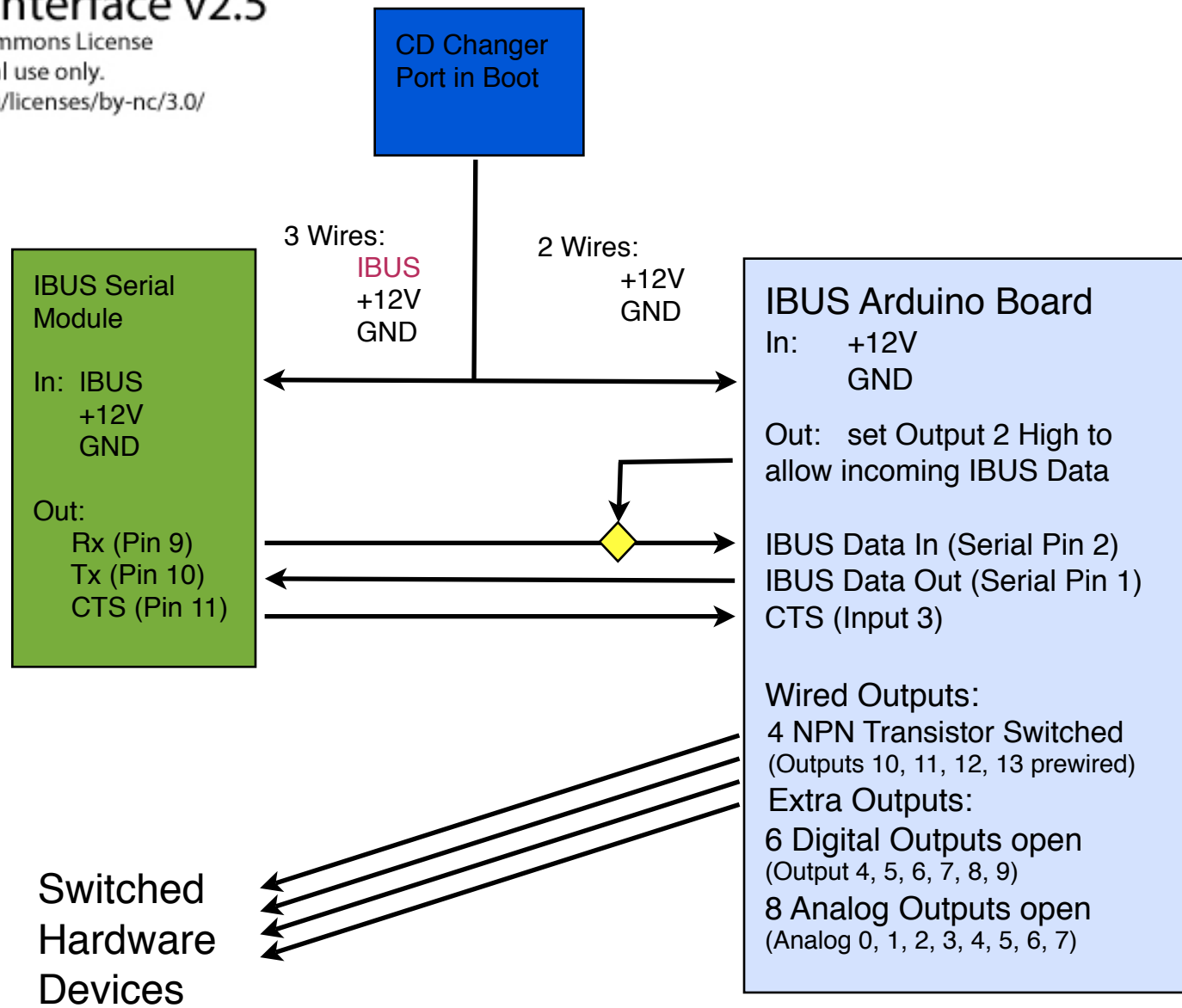


IBus-Arduino Interface v2.5

Released under Creative Commons License

Attribution/Non-Commercial use only.

<http://creativecommons.org/licenses/by-nc/3.0/>



Note: The Arduino looks for incoming Serial Data on Serial Pin 2 upon startup. If there is any serial data, the Arduino waits for a valid incoming program (called a Sketch) and will not complete boot up. Incoming IBUS data is gated via a NPN transistor, at startup, Output 2 is LOW so no serial data gets through. The Arduino then completes it's Boot and during program initiation sets Output 2 HIGH now allows incoming IBUS data.

Copyright 2008
David Chen
JCW@DaveChen.org
All Rights Reserved

