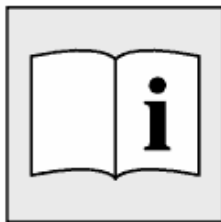
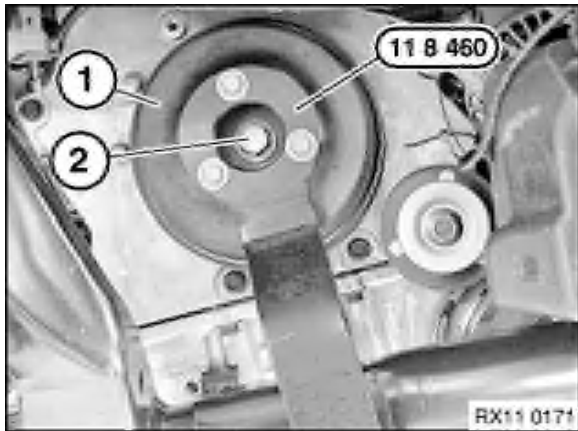
**Special tools required:**

- 11 8 241
- 11 8 242
- 11 8 270
- 11 8 441
- 11 8 442
- 11 8 443
- 11 8 450
- 11 8 460

*Necessary preliminary tasks:*

- Remove wheel.
- Remove wheel arch liner.
- Remove drive belt for auxiliary assemblies.

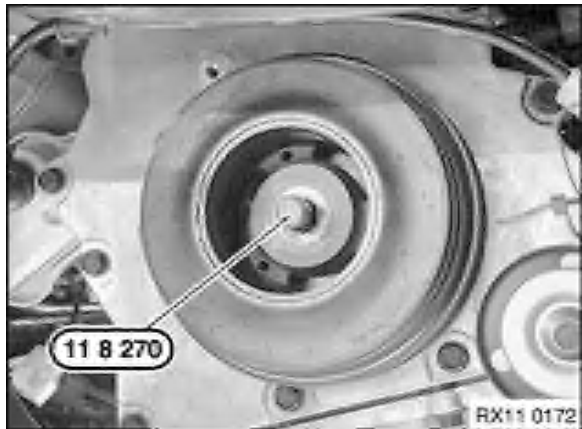
*Installation:*

Procedure up to **4/04**.

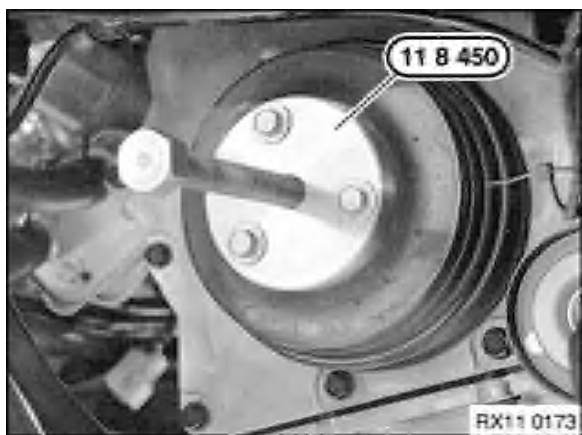
Fit special tool 11 8 460 on vibration damper (1).

Release central bolt (2).

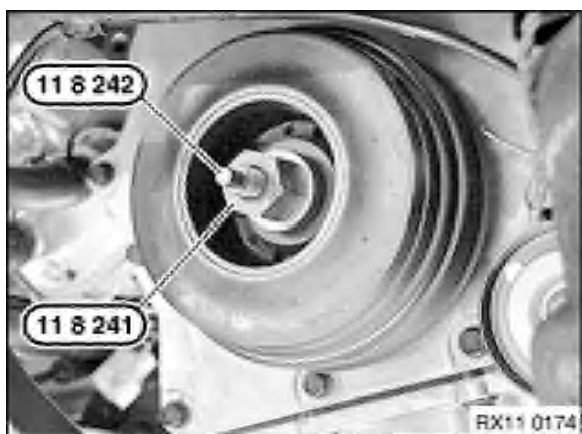
Tightening torque 11 23 1AZ .



Screw special tool 11 8 270 into crankshaft.



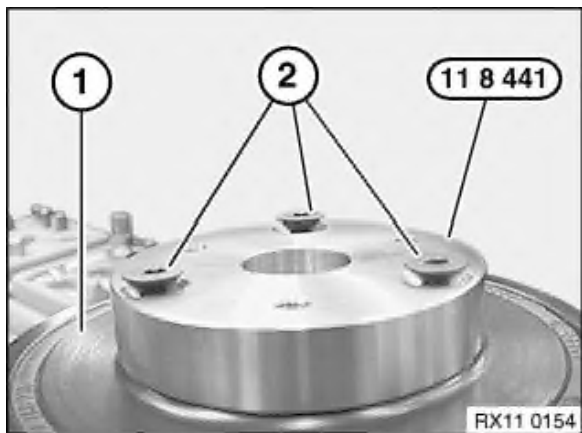
Pull off vibration damper with special tool 11 8 450 .



Installation:

Remove special tool 11 8 270 .

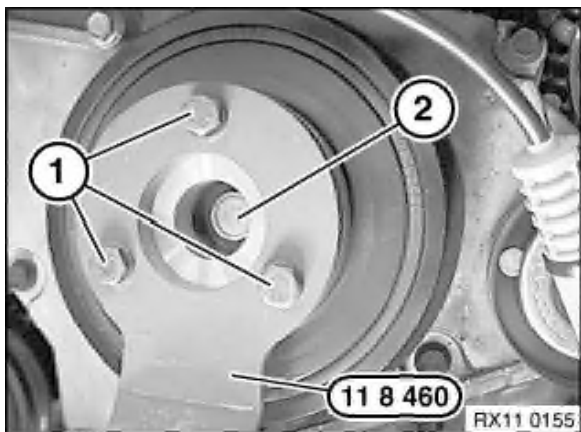
Press vibration damper onto crankshaft with special tools 11 8 242 and 11 8 241 .



Installation:

Procedure from **4/04**.

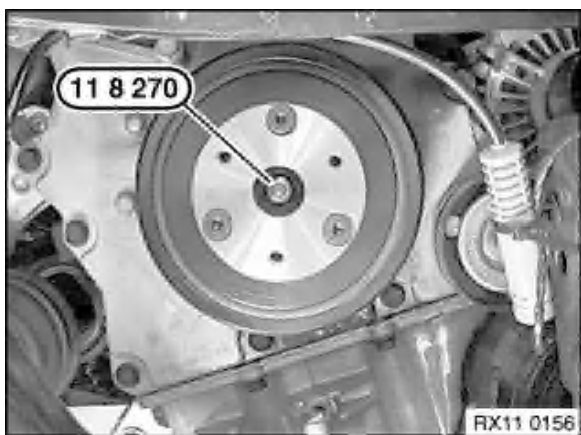
Preinstall special tool 11 8 441 with countersunk screws (2) on vibration damper (1).



Fit special tool 11 8 460 on special tool 11 8 441 .

Release central bolt (2).

Tightening torque: 11 23 1AZ .



Screw in special tool 11 8 270 .

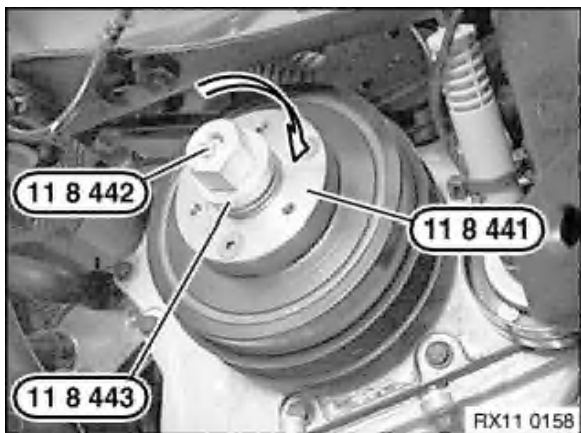


Fit special tool 11 8 450 .

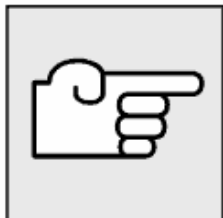
Pull off vibration damper with special tool 11 8 450 .

Note:

Modify special tool 11 8 441 if necessary to new vibration damper.



Press on vibration damper with special tools 11 8 442 and 11 8 443 .



Assemble engine.