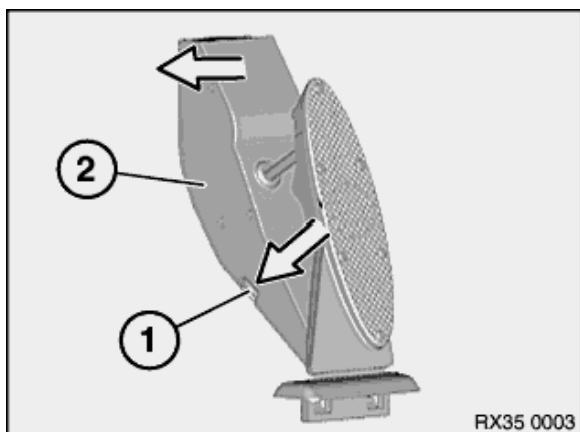




When replacing control unit:

- Observe programming/coding.



Press retaining tab (1) downwards and slide accelerator pedal module (2) in direction of arrow off adapter plate and remove.
Disconnect plug connection.



Important!

The adapter plate must be replaced if an accelerator pedal is removed.