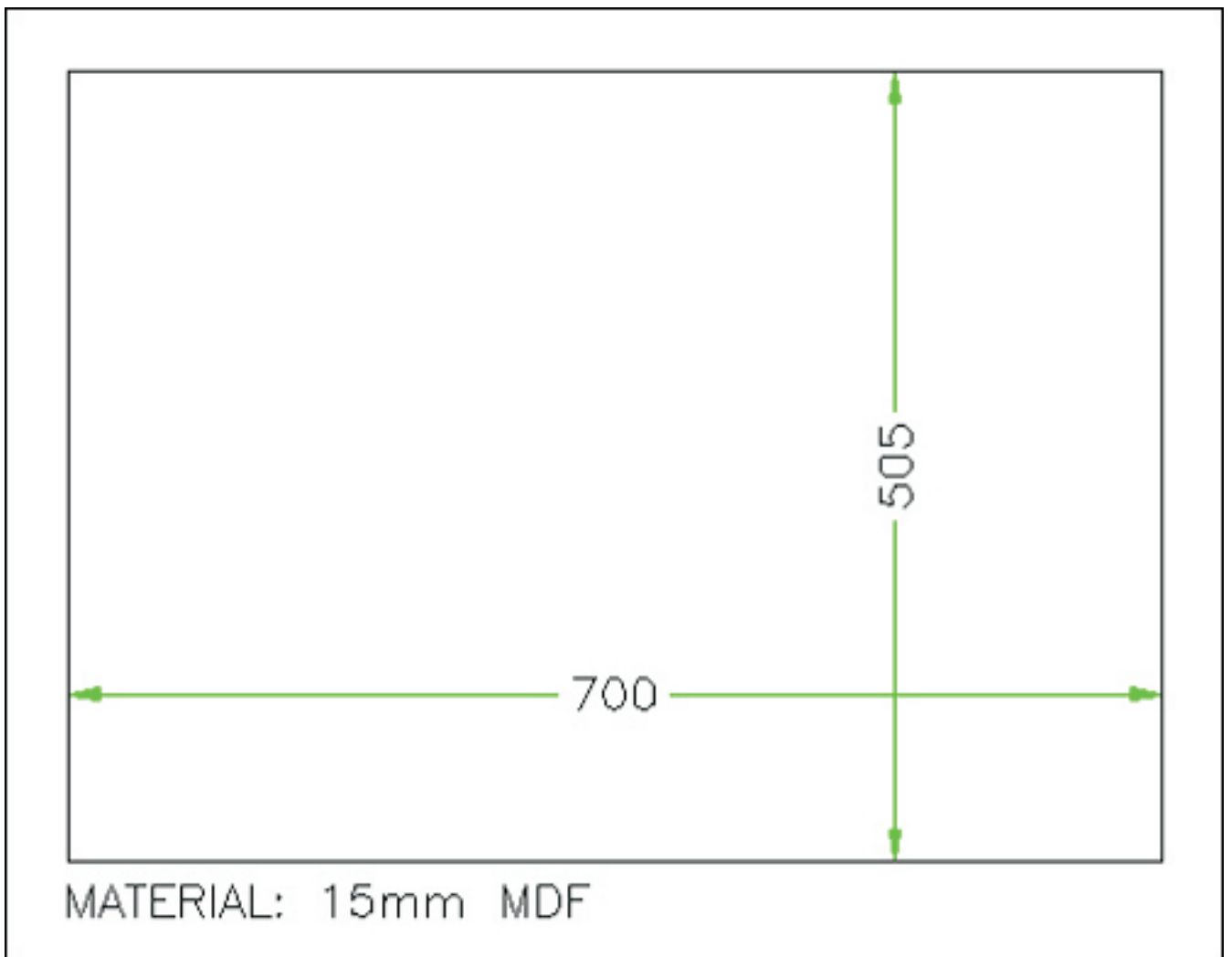
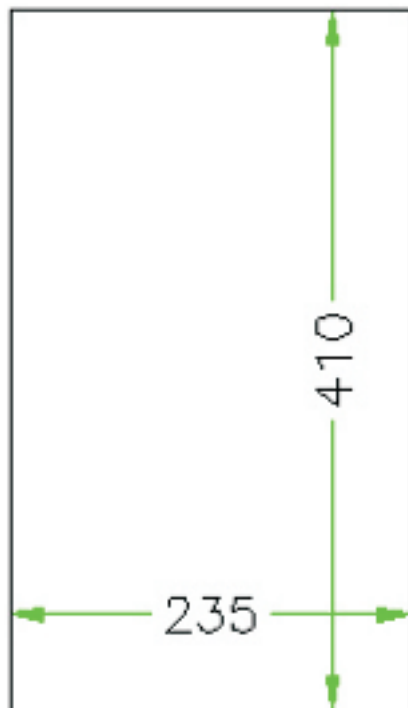


All measurements are in mm.  
·Back Bulkhead Piece

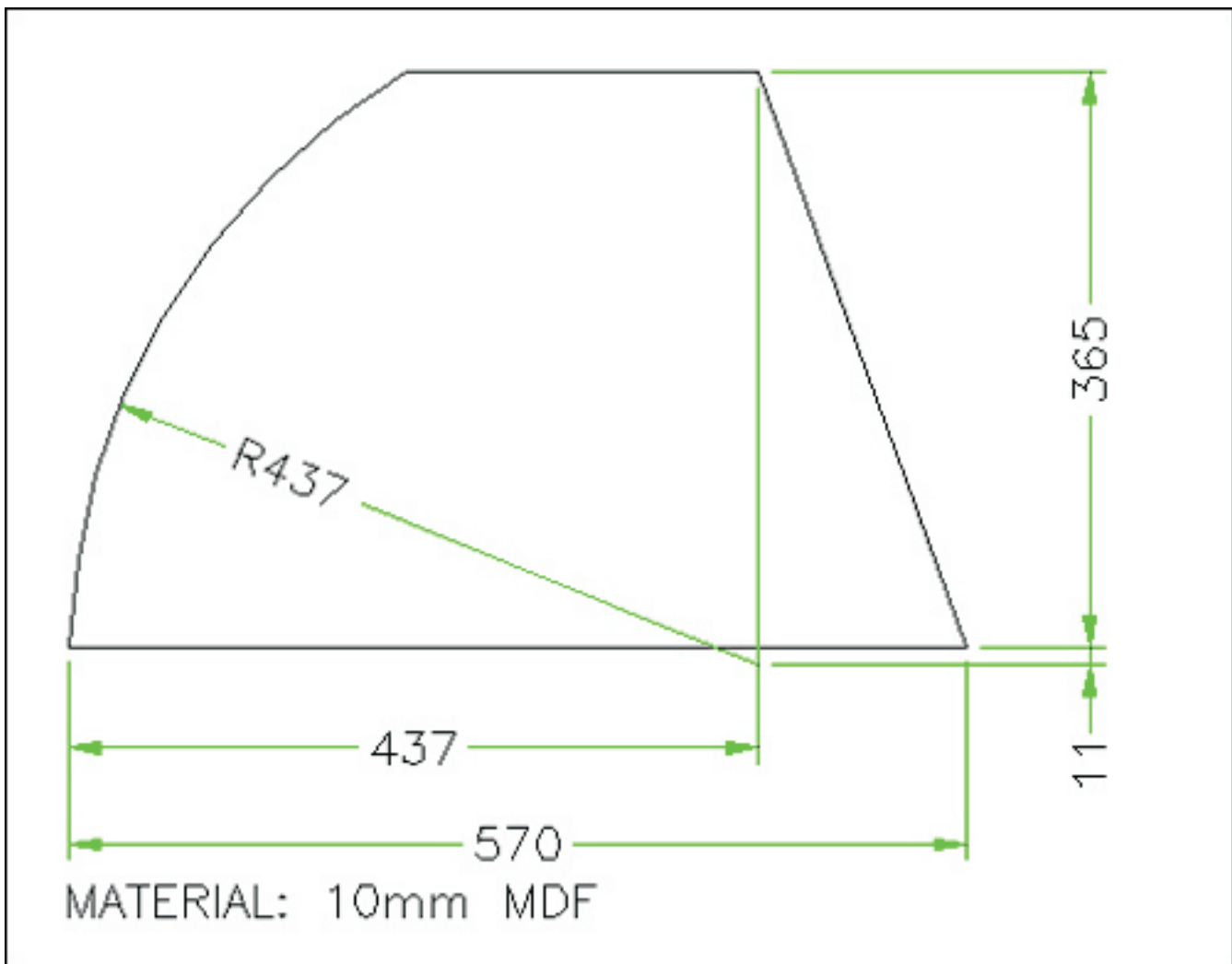


· Boot Floor Piece



MATERIAL: FLEXIBLE MDF

·Fuel Tank Front Cover



·Side Pieces. You require two of these.

Also as the Boot Floor Piece sits on the spare wheel you will need a piece of wood/plastic 65mm tall to make the boot piece look and sit level